

# Complex Pipelining

*Daniel Sanchez*

Computer Science and Artificial Intelligence Laboratory  
M.I.T.

# Complex Pipelining: Motivation

---

Instruction pipelining becomes complex when we want high performance in the presence of

- Multi-cycle operations, for example:
  - Full or partially pipelined floating-point units, or
  - Long-latency operations, e.g., divides
- Variable-latency operations, for example:
  - Memory systems with variable access time
- Replicated function units, for example:
  - Multiple floating-point or memory units

# CDC 6600

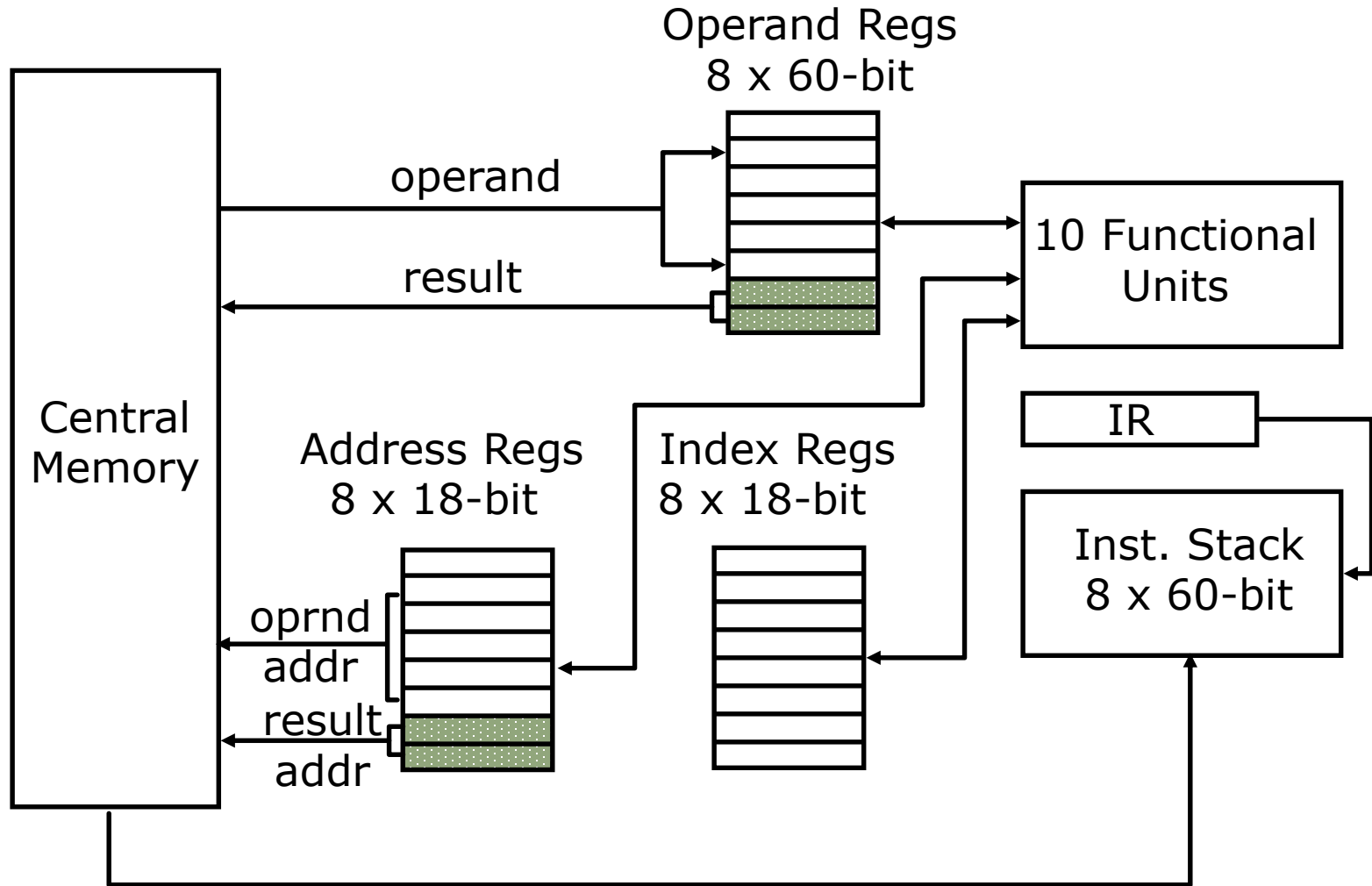
## *Seymour Cray, 1963*

---



- A fast pipelined machine with 60-bit words
  - 128 Kword main memory capacity, 32 banks
- Ten functional units (parallel, unpipelined)
  - Floating Point: adder, 2 multipliers, divider
  - Integer: adder, 2 incrementers, ...
- Hardwired control
- **Dynamic scheduling of instructions using a scoreboard**
- Ten Peripheral Processors for Input/Output
  - A fast multi-threaded 12-bit integer ALU
- Very fast clock, 10 MHz (FP add in 4 clocks)
- >400,000 transistors, 750 sq. ft., 5 tons, 150 kW, new freon-based cooling technology
- Fastest machine in world for 5 years (until CDC 7600)
  - Over 100 sold (\$7-10M each)

# CDC 6600: Datapath

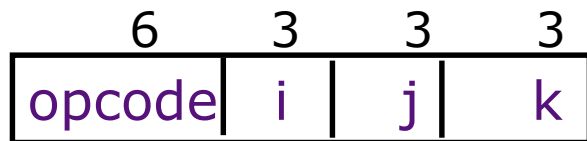


# CDC 6600: A Load/Store Architecture

---

- Separate instructions to manipulate three types of reg.
  - 8 60-bit data registers (X)
  - 8 18-bit address registers (A)
  - 8 18-bit index registers (B)

- All arithmetic and logic instructions are reg-to-reg



$$R_i \leftarrow (R_j) \text{ op } (R_k)$$

- Only Load and Store instructions refer to memory!



$$R_i \leftarrow M[(R_j) + \text{disp}]$$

- Touching address registers 1 to 5 initiates a load
  - 6 to 7 initiates a store
  - *very useful for vector operations*

# CDC6600: Vector Addition

---

```
      B1 ← - n
loop: JZE  B1, exit
      A1 ← B1 + a1      load into X1
      A2 ← B1 + b1      load into X2
      X6 ← X1 + X2
      A6 ← B1 + c1      store X6
      B1 ← B1 + 1
      jump loop
```

$A_i$  = address register

$B_i$  = index register

$X_i$  = data register

*more on vector processing later...*

We will present complex  
pipelining issues more  
abstractly ...

# Floating Point ISA

---

Interaction between the Floating point datapath and the Integer datapath is determined largely by the ISA

## MIPS ISA

- separate register files for FP and Integer instructions  
*the only interaction is via a set of move instructions (some ISAs don't even permit this)*
- separate load/store for FPR's and GPR's but both use GPR's for address calculation
- separate conditions for branches  
FP branches are defined in terms of condition codes



# Floating Point Unit

---

Much more hardware than an integer unit

Single-cycle floating point unit is a bad idea - *why?*

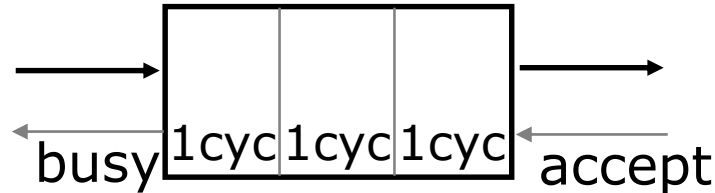
- it is common to have several floating point units
- it is common to have different types of FPUs  
*Fadd, Fmul, Fdiv, ...*
- an FPU may be pipelined, partially pipelined or not pipelined

*To operate several FPUs concurrently the register file needs to have more read and write ports*

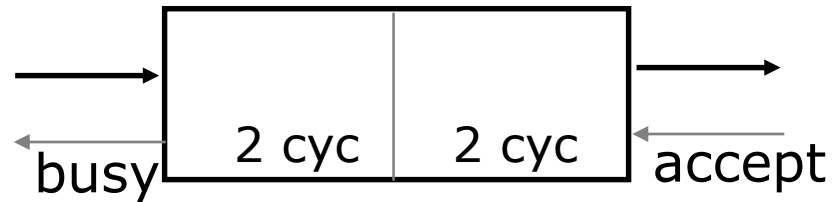
# Functional Unit Characteristics

---

*fully  
pipelined*



*partially  
pipelined*



Functional units have internal pipeline registers

- ⇒ operands are latched when an instruction enters a functional unit
- ⇒ inputs to a functional unit (e.g., register file) can change during a long latency operation

# Realistic Memory Systems

---

Latency of access to the main memory is usually much higher than one cycle and often unpredictable

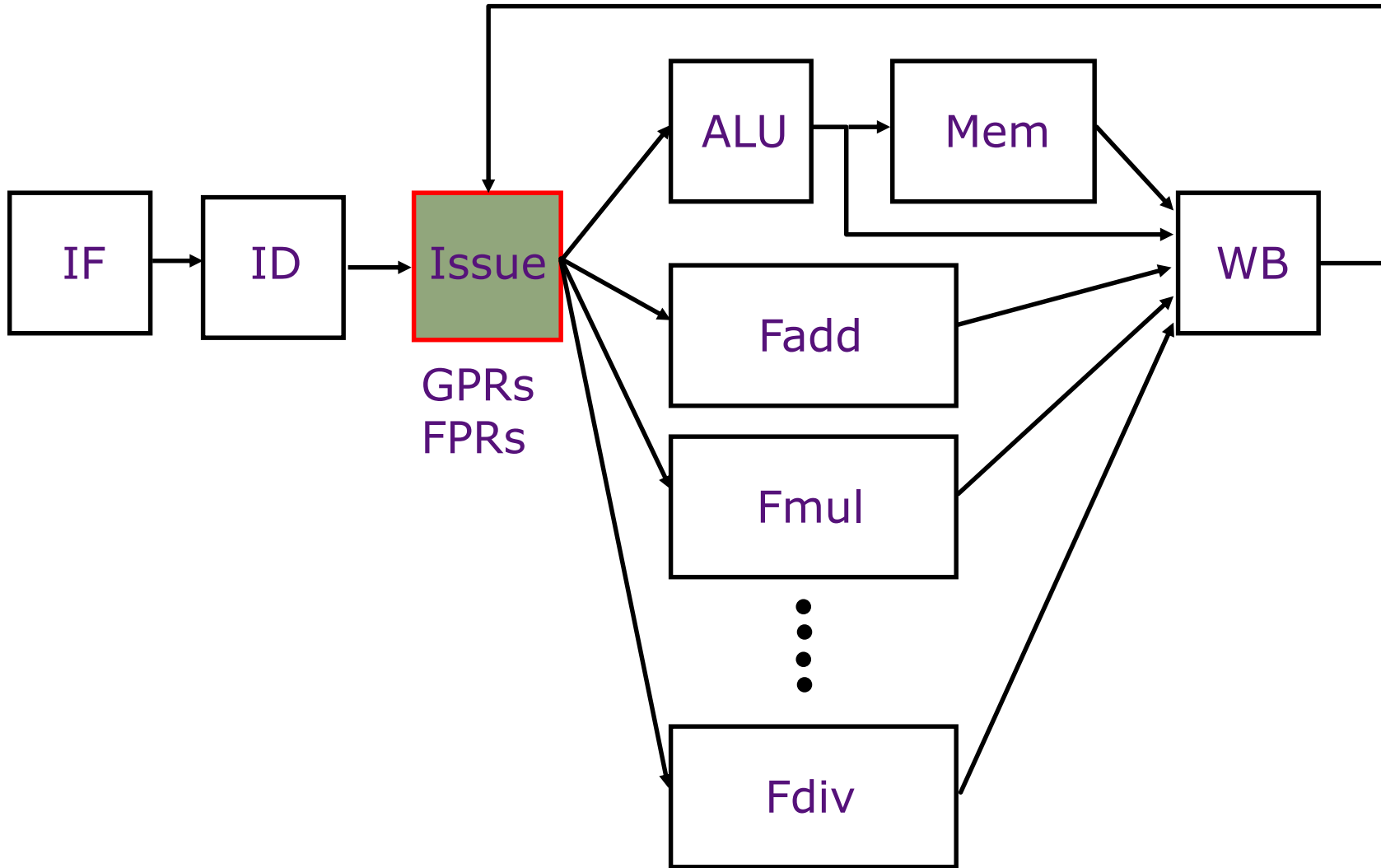
*Solving this problem is a central issue in computer architecture*

Common approaches to improving memory performance

- separate instruction and data memory ports  
⇒ *no self-modifying code*
- caches  
*single cycle except in case of a miss ⇒ stall*
- interleaved memory  
*multiple memory accesses ⇒ bank conflicts*
- split-phase memory operations  
⇒ *out-of-order responses*

# Complex Pipeline Structure

---

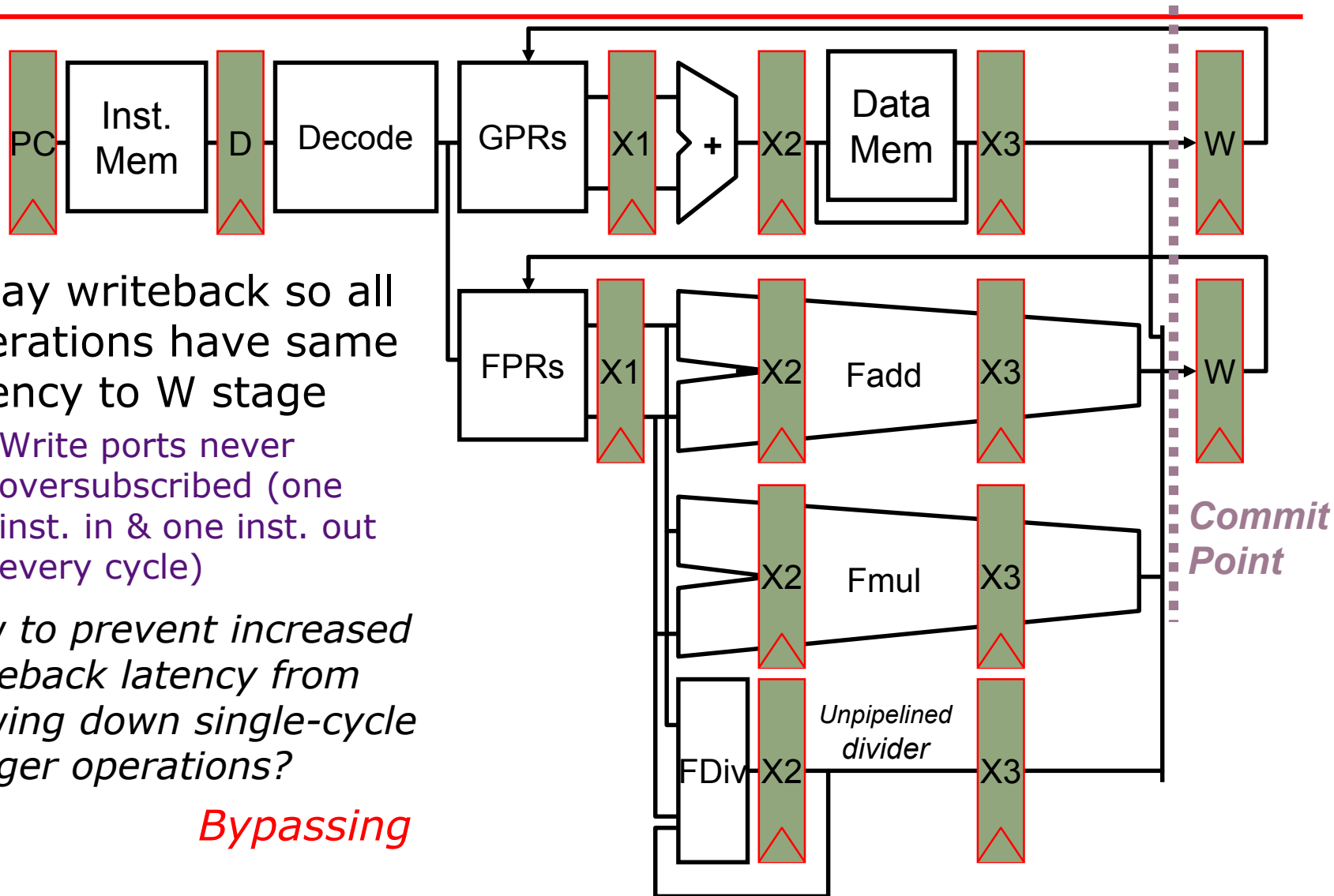


# Complex Pipeline Control Issues

---

- Structural hazards at the execution stage if some FPU or memory unit is not pipelined and takes more than one cycle
- Structural hazards at the write-back stage due to variable latencies of different function units
- Out-of-order write hazards due to variable latencies of different function units
- How to handle exceptions?

# Complex In-Order Pipeline

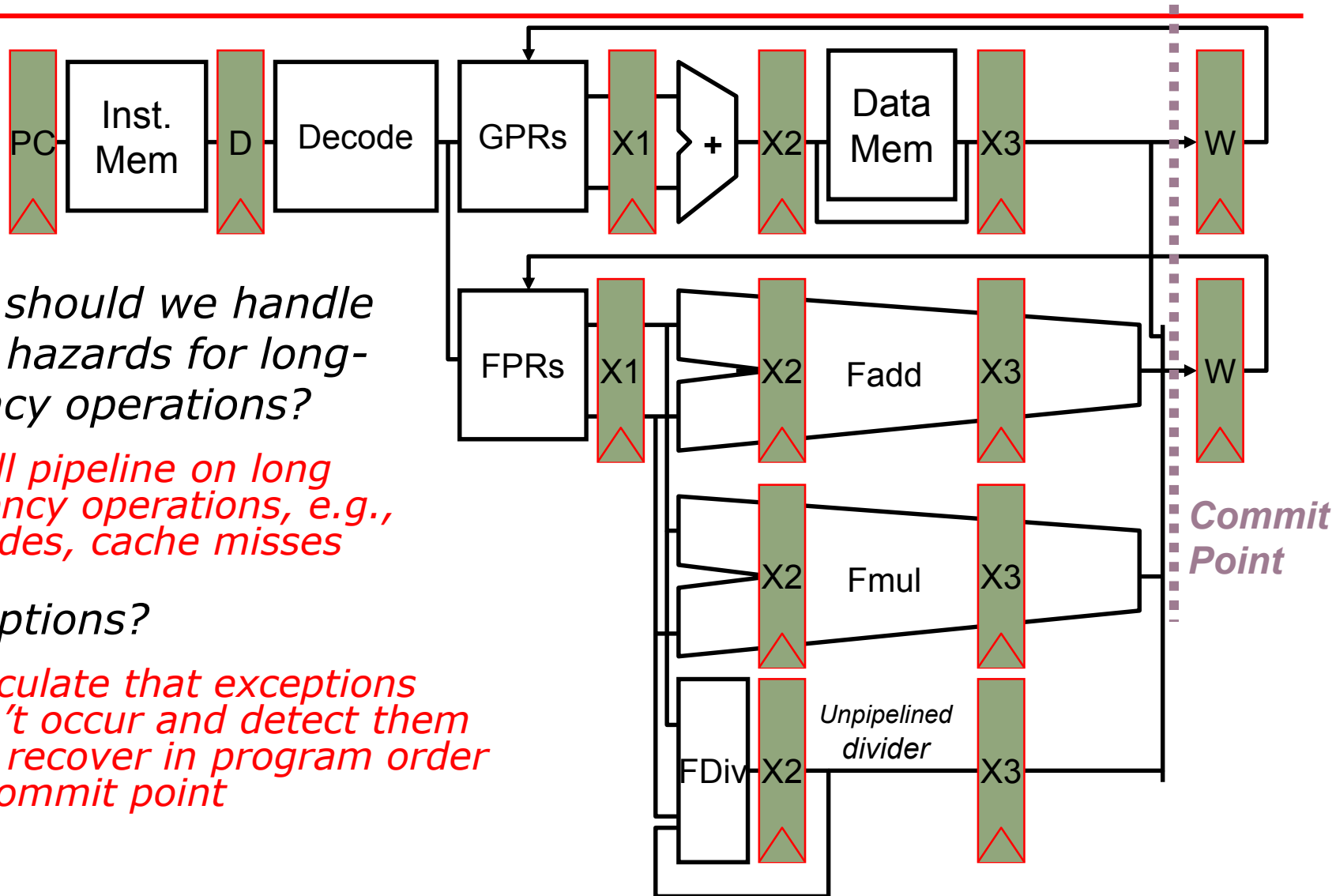


- Delay writeback so all operations have same latency to W stage
  - Write ports never oversubscribed (one inst. in & one inst. out every cycle)

*How to prevent increased writeback latency from slowing down single-cycle integer operations?*

***Bypassing***

# Complex In-Order Pipeline



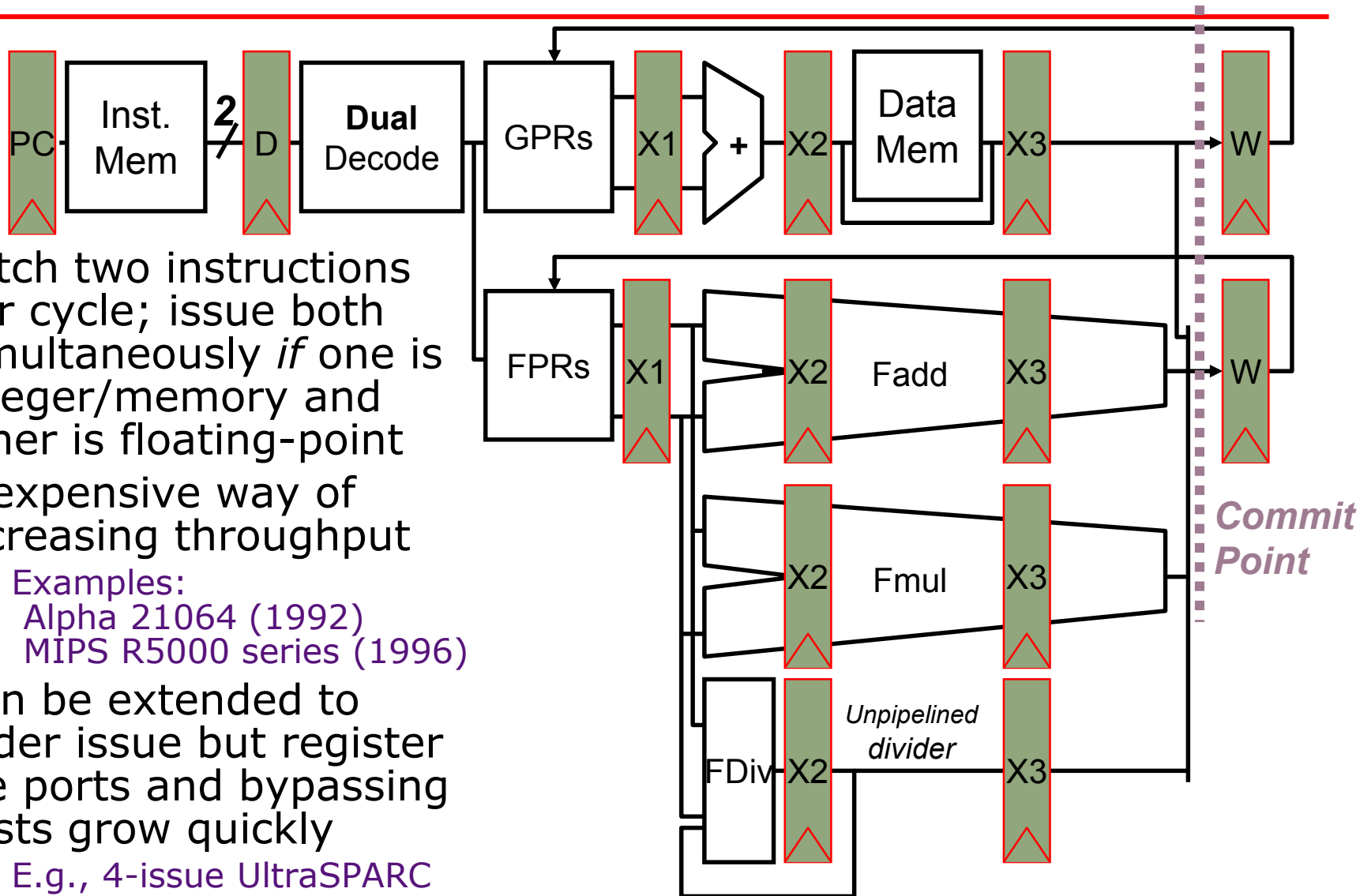
*How should we handle data hazards for long-latency operations?*

*Stall pipeline on long latency operations, e.g., divides, cache misses*

*Exceptions?*

*Speculate that exceptions won't occur and detect them and recover in program order at commit point*

# Superscalar In-Order Pipeline



- Fetch two instructions per cycle; issue both simultaneously *if* one is integer/memory and other is floating-point
- Inexpensive way of increasing throughput
  - Examples:
    - Alpha 21064 (1992)
    - MIPS R5000 series (1996)
- Can be extended to wider issue but register file ports and bypassing costs grow quickly
  - E.g., 4-issue UltraSPARC



# Dependence Analysis

Needed to Exploit Instruction-level Parallelism

# Types of Data Hazards


---

Consider executing a sequence of

$$r_k \leftarrow (r_i) \text{ op } (r_j)$$


type of instructions

## Data-dependence

$$\begin{array}{l} r_3 \leftarrow (r_1) \text{ op } (r_2) \\ r_5 \leftarrow (r_3) \text{ op } (r_4) \end{array}$$



Read-after-Write  
(RAW) hazard

## Anti-dependence

$$\begin{array}{l} r_3 \leftarrow (r_1) \text{ op } (r_2) \\ r_1 \leftarrow (r_4) \text{ op } (r_5) \end{array}$$


Write-after-Read  
(WAR) hazard

## Output-dependence

$$\begin{array}{l} r_3 \leftarrow (r_1) \text{ op } (r_2) \\ r_3 \leftarrow (r_6) \text{ op } (r_7) \end{array}$$


Write-after-Write  
(WAW) hazard

# Detecting Data Hazards

---

## *Range and Domain of instruction i*

$R(i)$  = Registers (or other storage) modified by instruction i

$D(i)$  = Registers (or other storage) read by instruction i

Suppose instruction j follows instruction i in the program order. Executing instruction j before the effect of instruction i has taken place can cause a

*RAW hazard if*  $R(i) \cap D(j) \neq \emptyset$

*WAR hazard if*  $D(i) \cap R(j) \neq \emptyset$

*WAW hazard if*  $R(i) \cap R(j) \neq \emptyset$

# Register vs. Memory Data Dependences

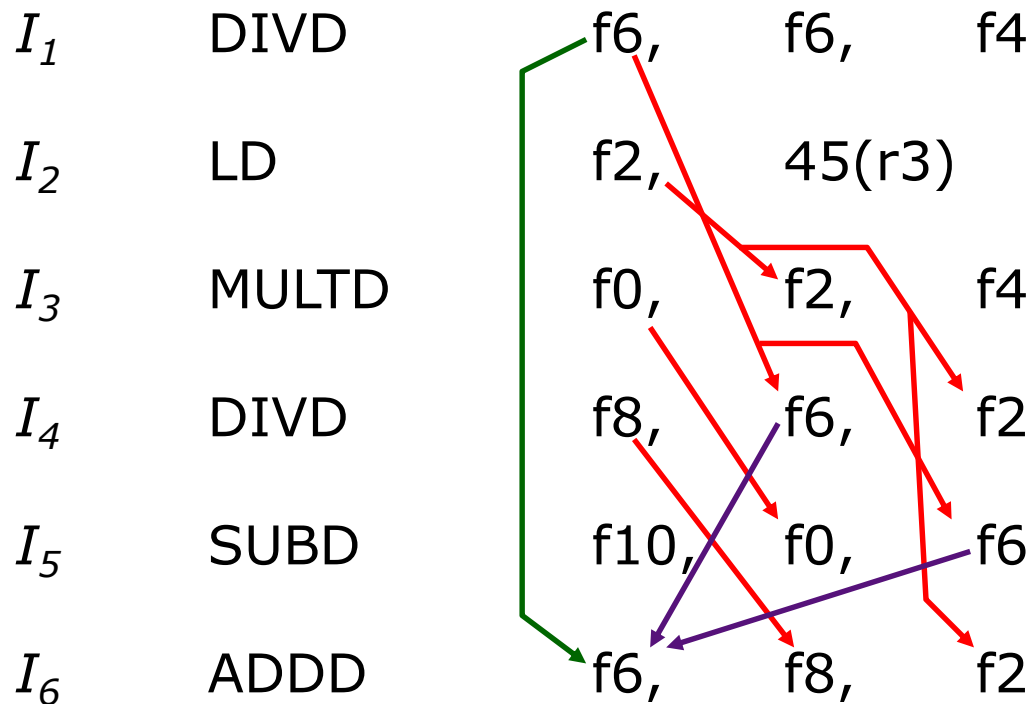
---

- Data hazards due to register operands can be determined at the decode stage *but*
- Data hazards due to memory operands can be determined only after computing the effective address

*store*                     $M[(r1) + disp1] \leftarrow (r2)$   
*load*                     $r3 \leftarrow M[(r4) + disp2]$

*Does  $(r1) + disp1 == (r4) + disp2$  ?*

# Data Hazards: An Example

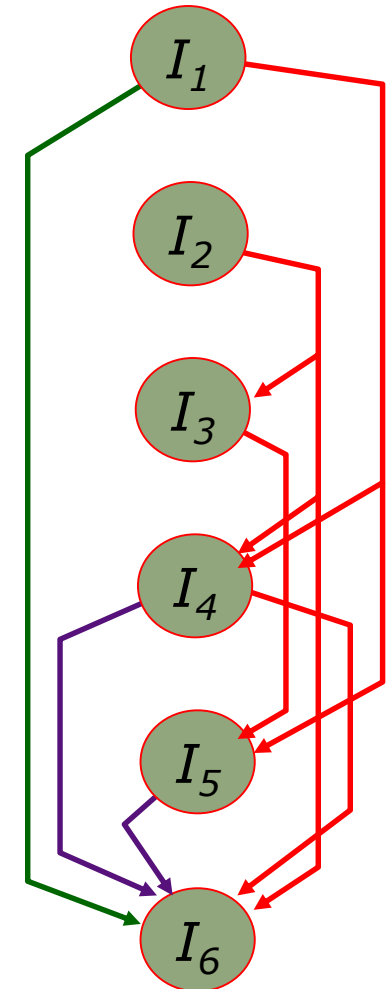
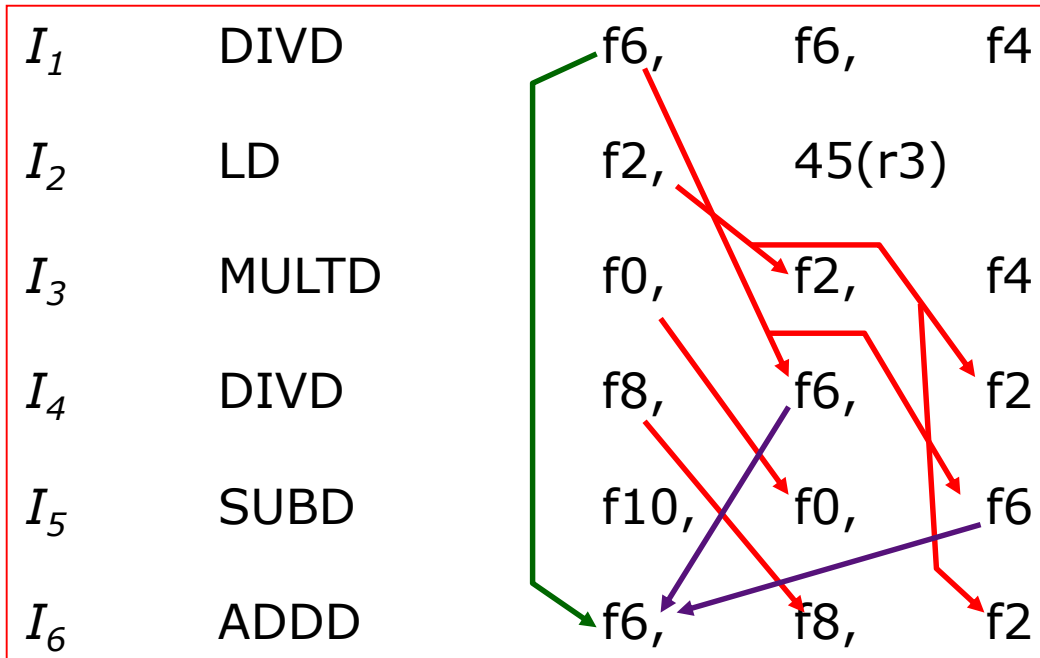


*RAW Hazards*

*WAR Hazards*

*WAW Hazards*

# Instruction Scheduling



Valid orderings:

<i>in-order</i>	$I_1$	$I_2$	$I_3$	$I_4$	$I_5$	$I_6$
<i>out-of-order</i>	$I_2$	$I_1$	$I_3$	$I_4$	$I_5$	$I_6$
<i>out-of-order</i>	$I_1$	$I_2$	$I_3$	$I_5$	$I_4$	$I_6$

# Out-of-order Completion

## *In-order Issue*

																		<i>Latency</i>
$I_1$	DIVD			f6,	f6,	f4												4
$I_2$	LD			f2,	45(r3)													1
$I_3$	MULTD			f0,	f2,	f4												3
$I_4$	DIVD			f8,	f6,	f2												4
$I_5$	SUBD			f10,	f0,	f6												1
$I_6$	ADDD			f6,	f8,	f2												1
<i>cycle</i>		1	2	3	4	5	6	7	8	9	10	11	12	13	14	15		
<i>in-order comp</i>		1	2			<u>1</u>	<u>2</u>	3	4		<u>3</u>	5	<u>4</u>	6	<u>5</u>	<u>6</u>		
<i>out-of-order comp</i>		1	2	<u>2</u>	3	<u>1</u>	4	<u>3</u>	5	<u>5</u>	<u>4</u>	6	<u>6</u>					

*What problems can out-of-order comp cause?*

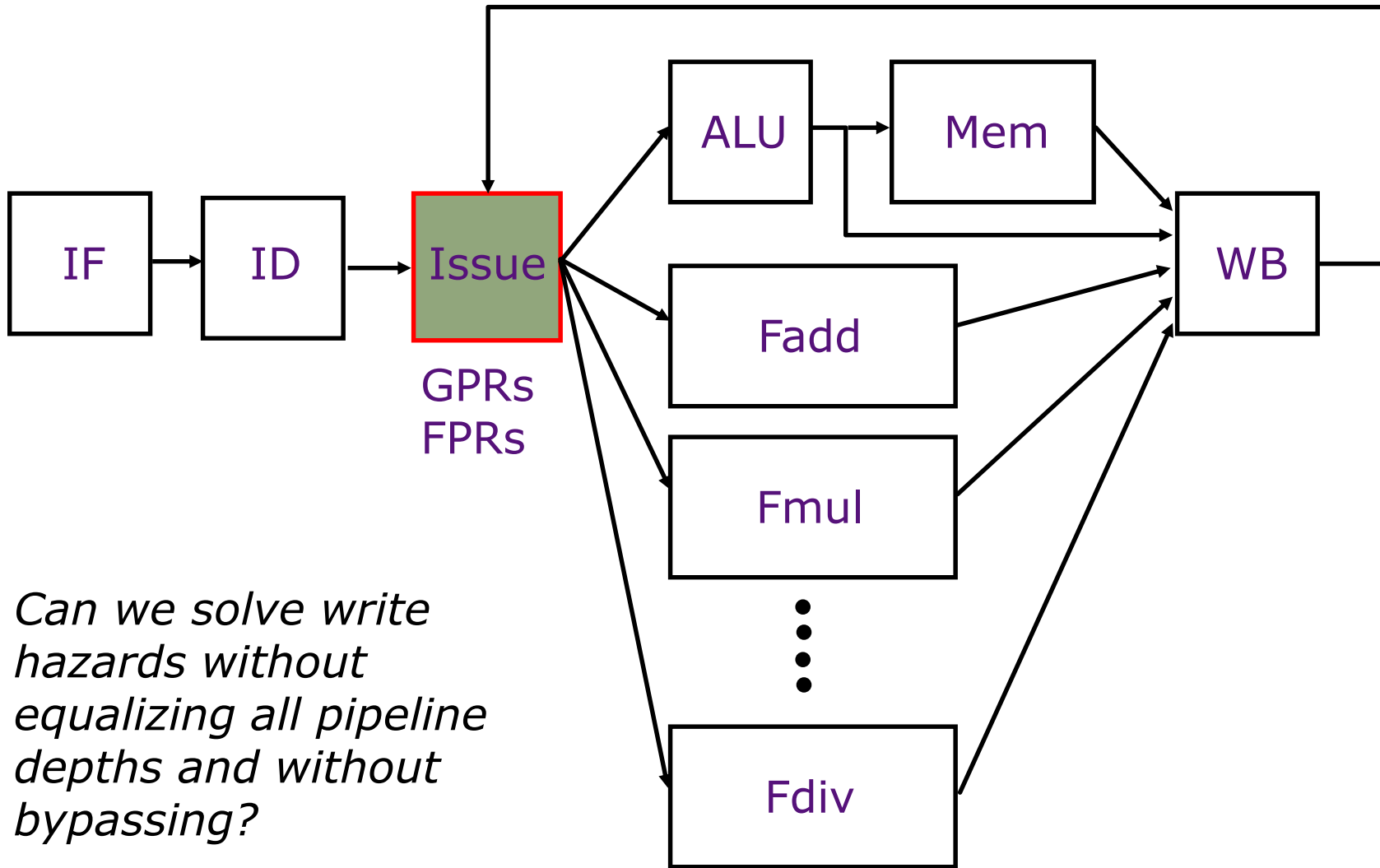
*Data hazards*  
*Exceptions*

# Scoreboard: A Hardware Data Structure to Detect Hazards Dynamically



# Complex Pipeline

---



*Can we solve write hazards without equalizing all pipeline depths and without bypassing?*

# When is it Safe to Issue an Instruction?

---

- Approach: Stall issue until sure that issuing will cause no dependence problems...
- Suppose a data structure keeps track of all the instructions in all the functional units
- The following checks need to be made before the Issue stage can dispatch an instruction
  - Is the required function unit available?
  - Is the input data available?  $\Rightarrow$  RAW?
  - Is it safe to write the destination?  $\Rightarrow$  WAR? WAW?
  - Is there a structural conflict at the WB stage?

# A Data Structure for Correct Issues

*Keeps track of the status of Functional Units*

---

<i>Name</i>	<i>Busy</i>	<i>Op</i>	<i>Dest</i>	<i>Src1</i>	<i>Src2</i>
Int					
Mem					
Add1					
Add2					
Add3					
Mult1					
Mult2					
Div					

*The instruction  $i$  at the Issue stage consults this table*

FU available?

check the busy column

RAW?

search the dest column for  $i$ 's sources

WAR?

search the source columns for  $i$ 's destination

WAW?

search the dest column for  $i$ 's destination

*An entry is added to the table if no hazard is detected;  
An entry is removed from the table after Write-Back*

# Simplifying the Data Structure Assuming In-order Issue

---

- Suppose the instruction is not dispatched by the Issue stage
  - If a RAW hazard exists
  - or if the required FU is busy
- Suppose operands are latched by the functional unit on issue

Can the dispatched instruction cause a

*WAR hazard?*    ***NO: Operands read at issue***

*WAW hazard?*    ***YES: Out-of-order completion***

# Simplifying the Data Structure

---

- No WAR hazard
  - ⇒ no need to keep *src1* and *src2*
- The Issue stage does not dispatch an instruction in case of a WAW hazard
  - ⇒ a register name can occur at most once in the *dest* column
- WP[reg#]: a bit-vector to record the registers for which writes are pending
  - *These bits are set to true by the Issue stage and set to false by the WB stage*
  - ⇒ Each pipeline stage in the FU's must carry the *dest* field and a flag to indicate if it is valid  
“*the (we, ws) pair*”

# Scoreboard for In-order Issues

---

**Busy[FU#]** : a bit-vector to indicate FU's availability.  
(FU = Int, Add, Mult, Div)

These bits are hardwired to FU's.

**WP[reg#]** : a bit-vector to record the registers for which writes are pending.

These bits are set to true by the Issue stage and set to false by the WB stage

Issue checks the instruction (opcode dest src1 src2) against the scoreboard (Busy & WP) to dispatch

FU available?

RAW?

WAR?

WAW?

**Busy[FU#]**

**WP[src1] or WP[src2]**

*cannot arise*

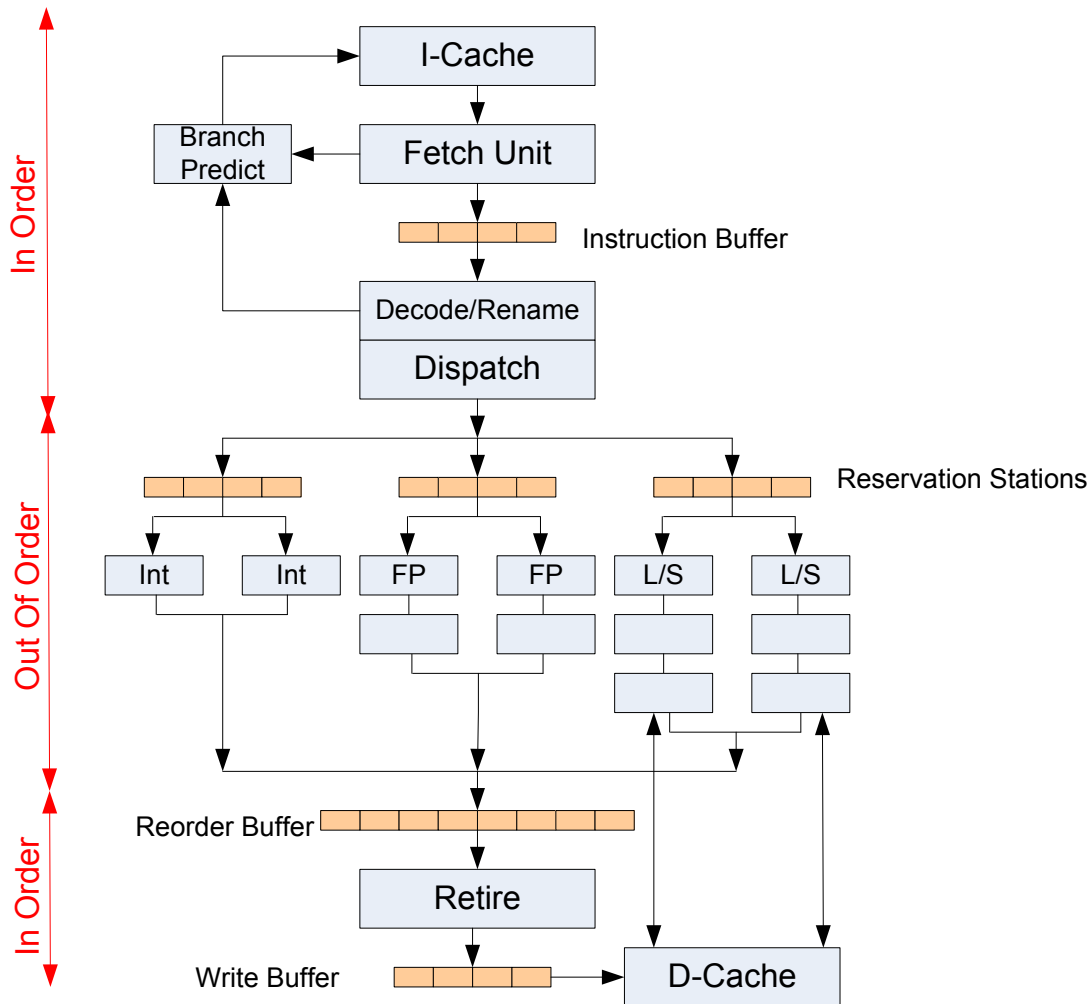
**WP[dest]**

# Scoreboard Dynamics

		Functional Unit Status								Registers Reserved for Writes		
		Int(1)	Add(1)	Mult(3)			Div(4)		WB			
t0	$I_1$						f6				f6	
t1	$I_2$	f2						f6			f6, f2	
t2								f6	f2		f6, f2	$\underline{I_2}$
t3	$I_3$			f0					f6		f6, f0	
t4					f0					f6	f6, f0	$\underline{I_1}$
t5	$I_4$					f0	f8				f0, f8	
t6								f8		f0	f0, f8	$\underline{I_3}$
t7	$I_5$		f10						f8		f8, f10	
t8									f8	f10	f8, f10	$\underline{I_5}$
t9										f8	f8	$\underline{I_4}$
t10	$I_6$		f6								f6	
t11										f6	f6	$\underline{I_6}$

$I_1$	DIVD	f6,	f6,	f4
$I_2$	LD	f2,	45(r3)	
$I_3$	MULTD	f0,	f2,	f4
$I_4$	DIVD	f8,	f6,	f2
$I_5$	SUBD	f10,	f0,	f6
$I_6$	ADDD	f6,	f8,	f2

# Preview: Anatomy of a Modern Out-of-Order Superscalar Core



- L08 (Today): Complex pipes w/ in-order issue
- L09: Out-of-order exec & renaming
- L10: Branch prediction
- L11: Speculative execution and recovery
- L12: Advanced Memory Ops