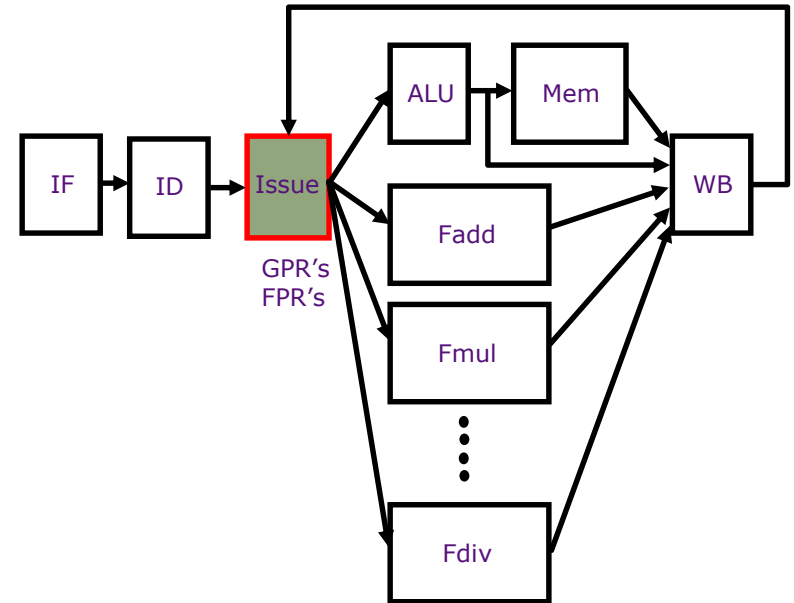


Complex Pipelining: Out-of-Order Execution, Register Renaming, and Exceptions

Daniel Sanchez

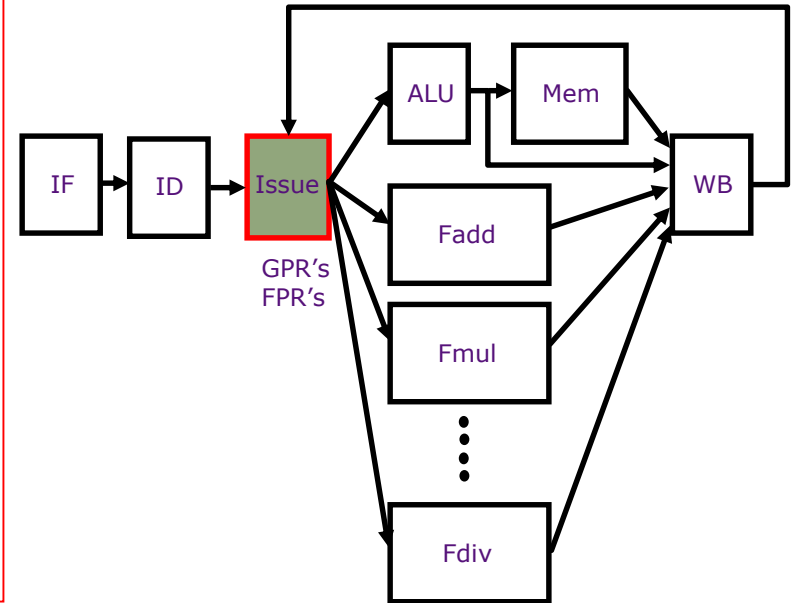
Computer Science and Artificial Intelligence Laboratory
M.I.T.

CDC 6600-style Scoreboard



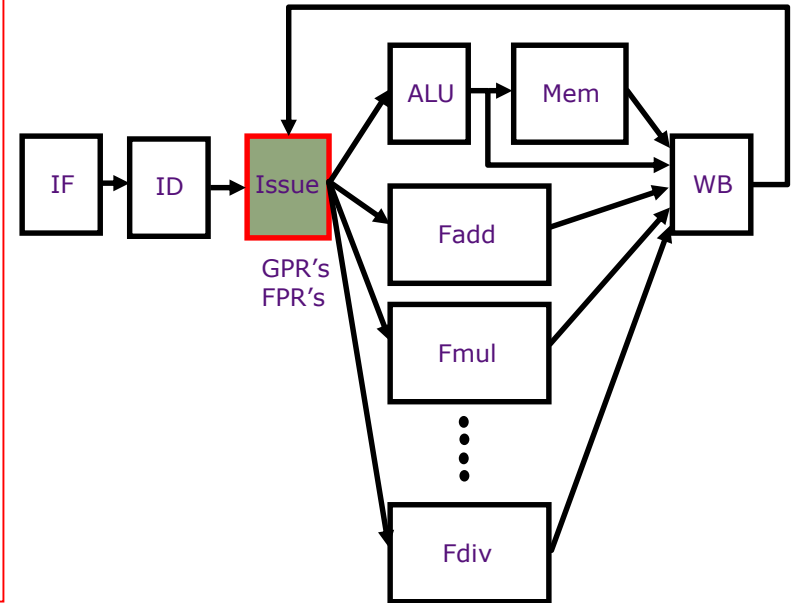
CDC 6600-style Scoreboard

Instructions are issued in order.



CDC 6600-style Scoreboard

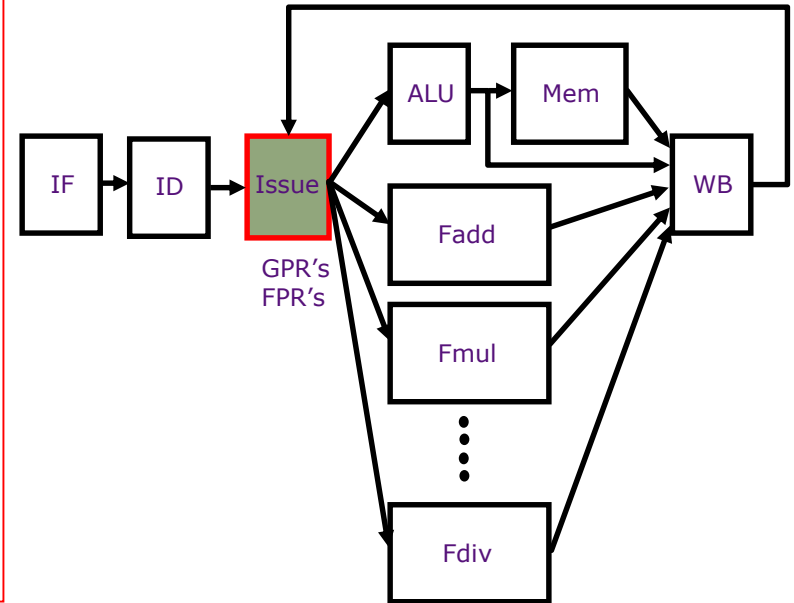
Instructions are issued in order.
An instruction is issued only if



CDC 6600-style Scoreboard

Instructions are issued in order.
An instruction is issued only if

- It cannot cause a RAW hazard

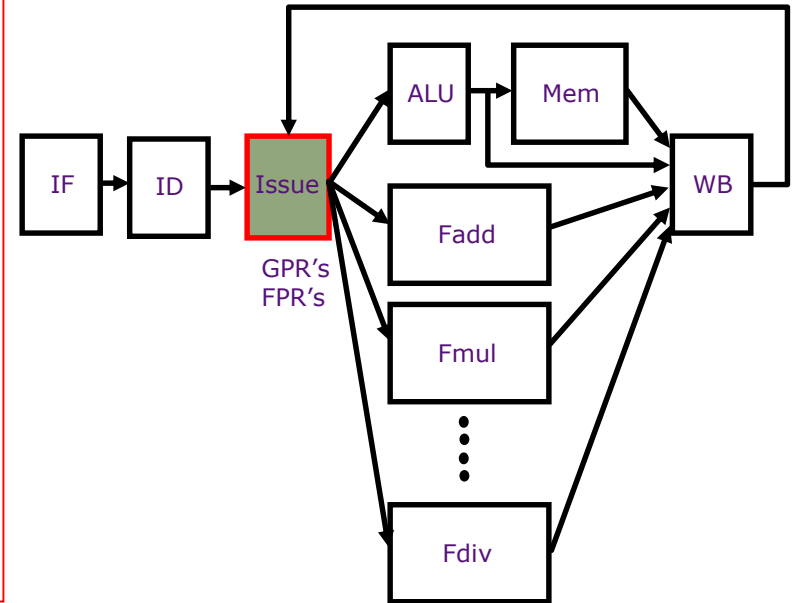


CDC 6600-style Scoreboard

Instructions are issued in order.

An instruction is issued only if

- It cannot cause a RAW hazard
- It cannot cause a WAW hazard



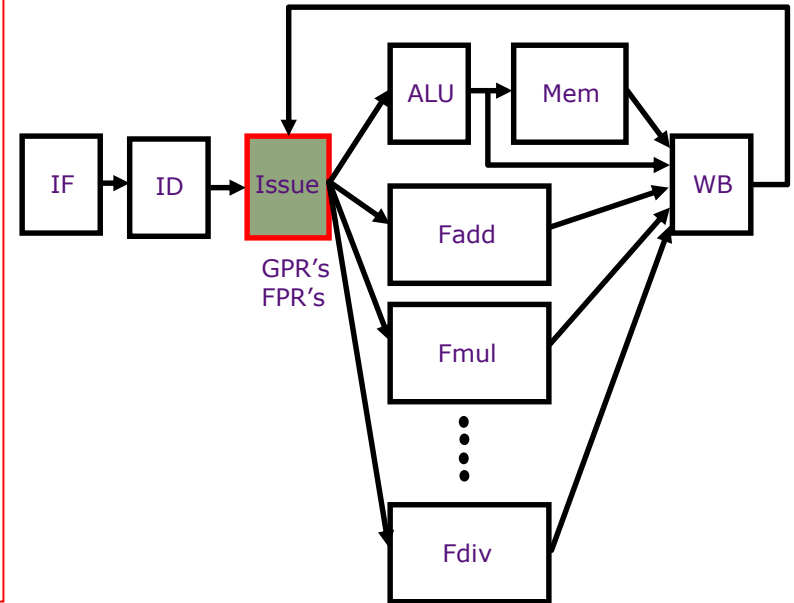
CDC 6600-style Scoreboard

Instructions are issued in order.

An instruction is issued only if

- It cannot cause a RAW hazard
- It cannot cause a WAW hazard

⇒ There can be at most instruction in the execute phase that can write in a particular register



CDC 6600-style Scoreboard

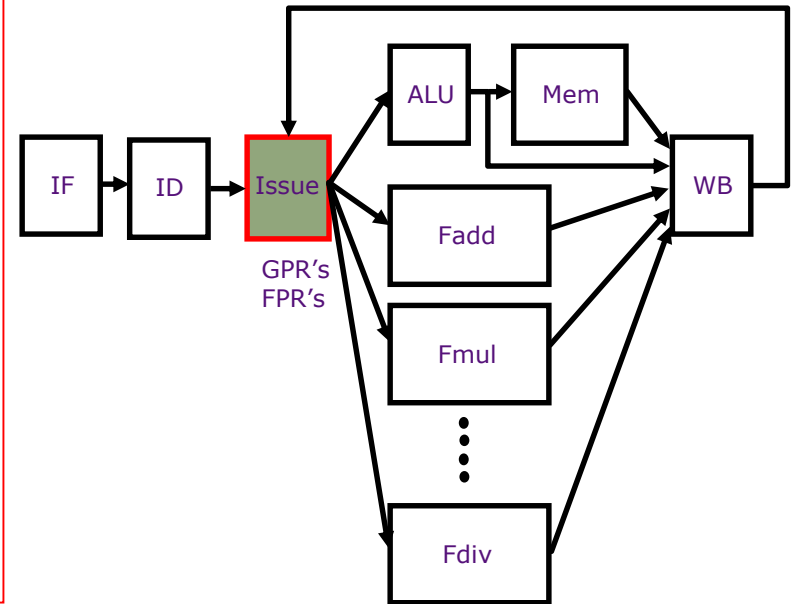
Instructions are issued in order.

An instruction is issued only if

- It cannot cause a RAW hazard
- It cannot cause a WAW hazard
⇒ There can be at most instruction in the execute phase that can write in a particular register

WAR hazards are not possible

- Due to in-order issue + operands read immediately



CDC 6600-style Scoreboard

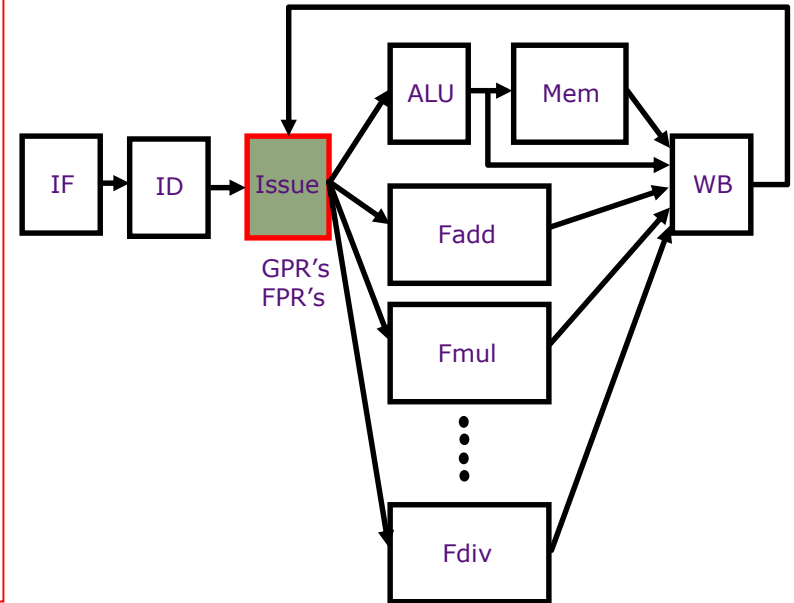
Instructions are issued in order.

An instruction is issued only if

- It cannot cause a RAW hazard
- It cannot cause a WAW hazard
⇒ There can be at most instruction in the execute phase that can write in a particular register

WAR hazards are not possible

- Due to in-order issue + operands read immediately



Scoreboard:
Two bit-vectors

CDC 6600-style Scoreboard

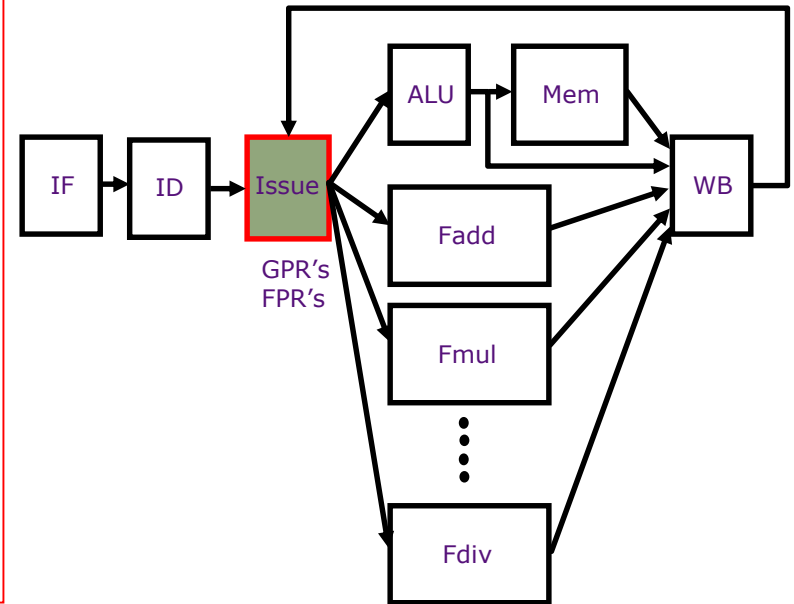
Instructions are issued in order.

An instruction is issued only if

- It cannot cause a RAW hazard
- It cannot cause a WAW hazard
⇒ There can be at most instruction in the execute phase that can write in a particular register

WAR hazards are not possible

- Due to in-order issue + operands read immediately



Scoreboard:
Two bit-vectors

Busy[FU#]: Indicates FU's availability
These bits are hardwired to FU's.

CDC 6600-style Scoreboard

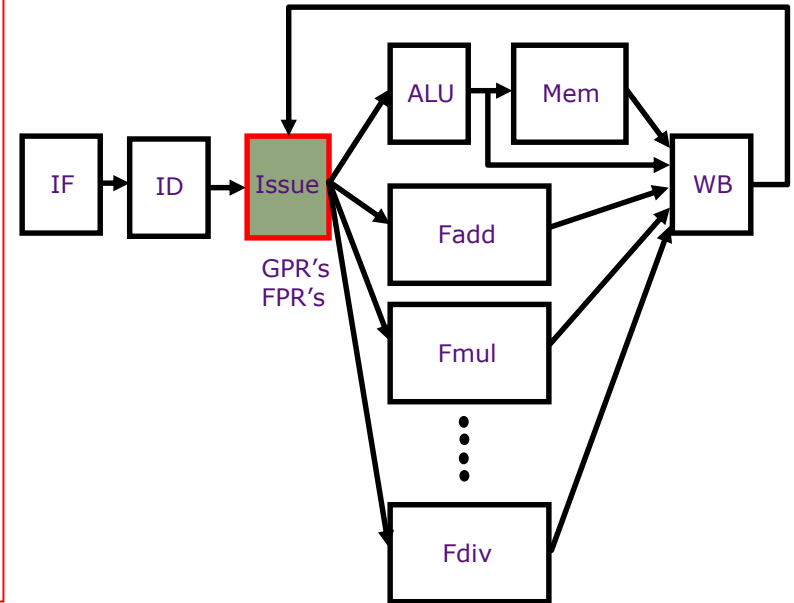
Instructions are issued in order.

An instruction is issued only if

- It cannot cause a RAW hazard
- It cannot cause a WAW hazard
⇒ There can be at most instruction in the execute phase that can write in a particular register

WAR hazards are not possible

- Due to in-order issue + operands read immediately



Scoreboard:
Two bit-vectors

Busy[FU#]: Indicates FU's availability
These bits are hardwired to FU's.

WP[reg#]: Records if a write is pending for a register
Set to true by the Issue stage and set to false by the WB stage

Reminder: Scoreboard Dynamics

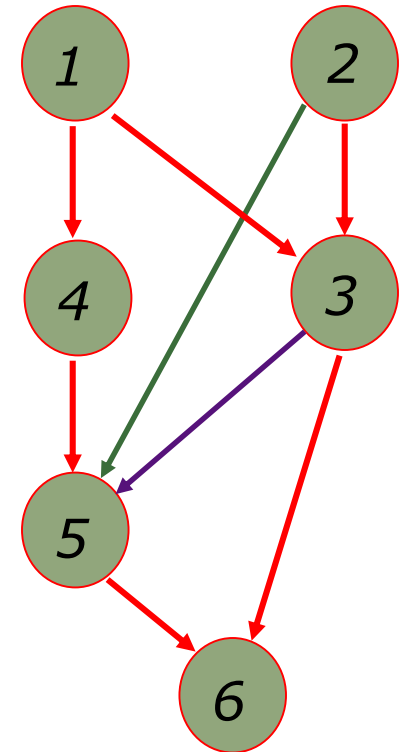
Issue time	Functional Unit Status										WB	WP	WB time
	Int(1)	Add(1)	Mult(3)			Div(4)							
t0	I_1						f6					f6	
t1	I_2	f2						f6				f6, f2	
t2									f6	f2		f6, f2	I_2
t3	I_3			f0						f6		f6, f0	
t4					f0					f6		f6, f0	I_1
t5	I_4					f0	f8					f0, f8	
t6								f8			f0	f0, f8	I_3
t7	I_5		f10						f8			f8, f10	
t8										f8	f10	f8, f10	I_5
t9											f8	f8	I_4
t10	I_6		f6									f6	
t11											f6	f6	I_6

I_1	DIVD	f6,	f6,	f4
I_2	LD	f2,	45(r3)	
I_3	MULTD	f0,	f2,	f4
I_4	DIVD	f8,	f6,	f2
I_5	SUBD	f10,	f0,	f6
I_6	ADDD	f6,	f8,	f2

In-Order Issue Limitations

An example

					latency
1	LD	F2,	34(R2)		1
2	LD	F4,	45(R3)		<i>long</i>
3	MULTD	F6,	F4,	F2	3
4	SUBD	F8,	F2,	F2	1
5	DIVD	F4,	F2,	F8	4
6	ADDD	F10,	F6,	F4	1

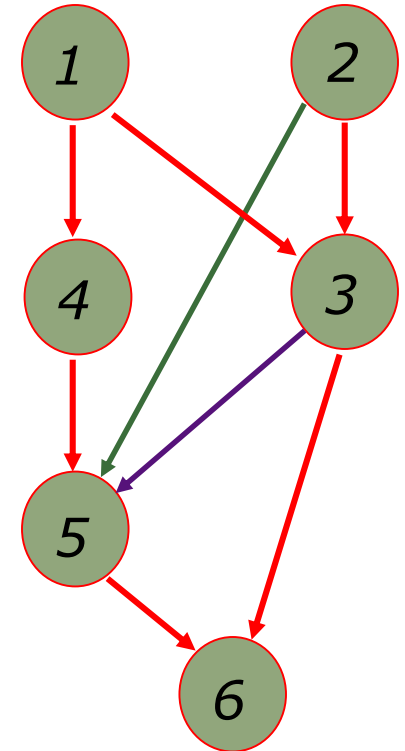


In-order: 1 (2,1) 2 3 4 4 3 5 . . . 5 6 6

In-Order Issue Limitations

An example

					latency
1	LD	F2,	34(R2)		1
2	LD	F4,	45(R3)		<i>long</i>
3	MULTD	F6,	F4,	F2	3
4	SUBD	F8,	F2,	F2	1
5	DIVD	F4,	F2,	F8	4
6	ADDD	F10,	F6,	F4	1



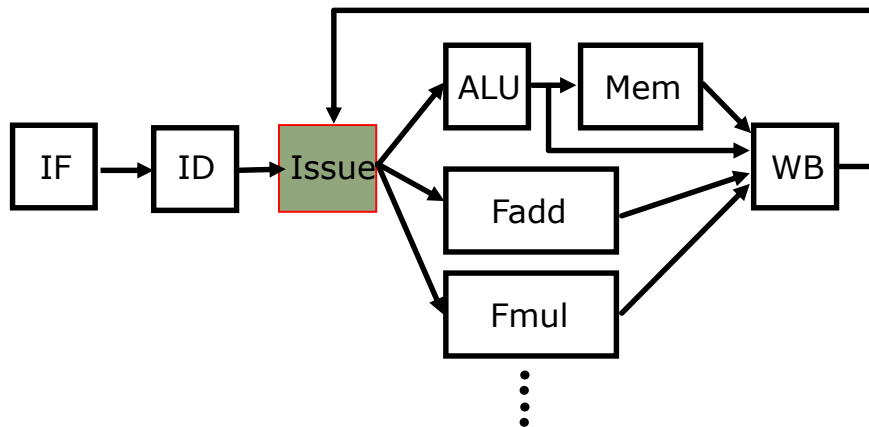
In-order:

1 (2,1) 2 3 4 4 3 5 5 6 6

In-order restriction prevents instruction 4 from being dispatched

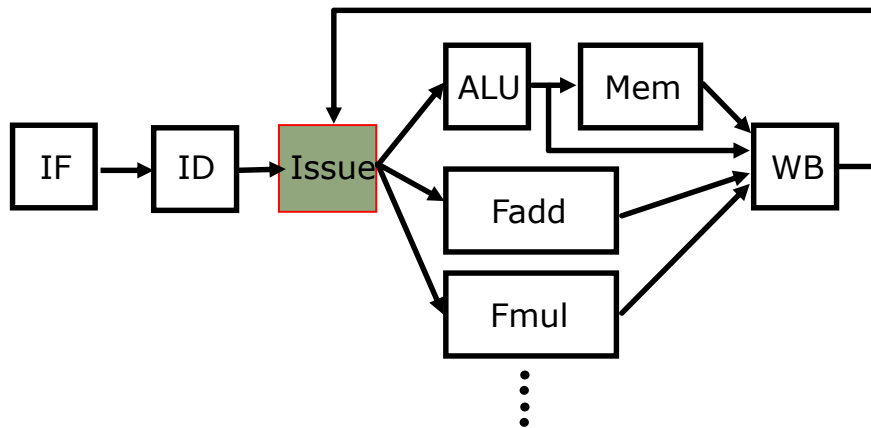
Out-of-Order Issue

How can we address the delay caused by a RAW dependence associated with the next in-order instruction?



Out-of-Order Issue

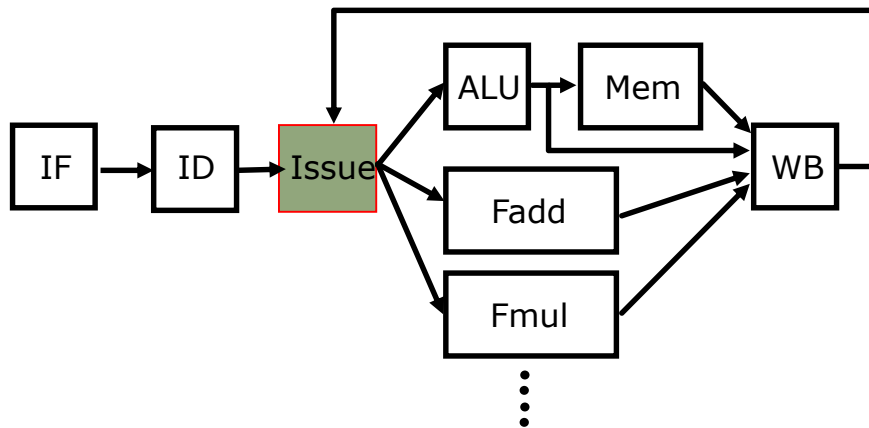
How can we address the delay caused by a RAW dependence associated with the next in-order instruction?



Find something else to do!

Out-of-Order Issue

How can we address the delay caused by a RAW dependence associated with the next in-order instruction?

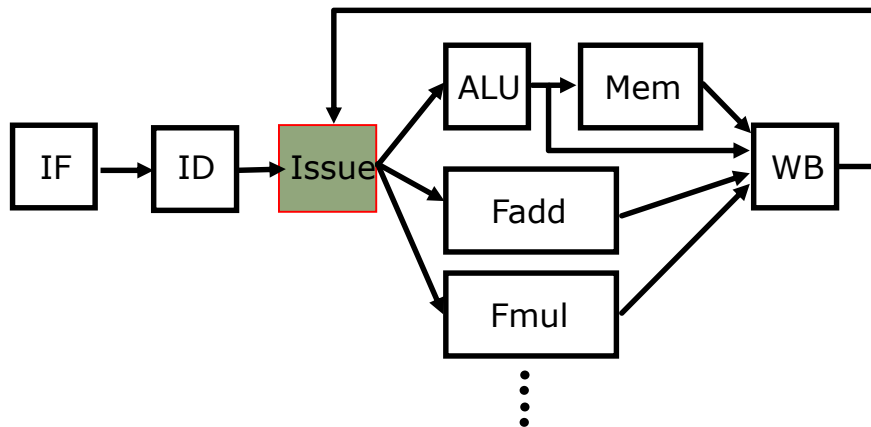


Find something
else to do!

- Issue stage buffer holds multiple instructions waiting to issue.

Out-of-Order Issue

How can we address the delay caused by a RAW dependence associated with the next in-order instruction?

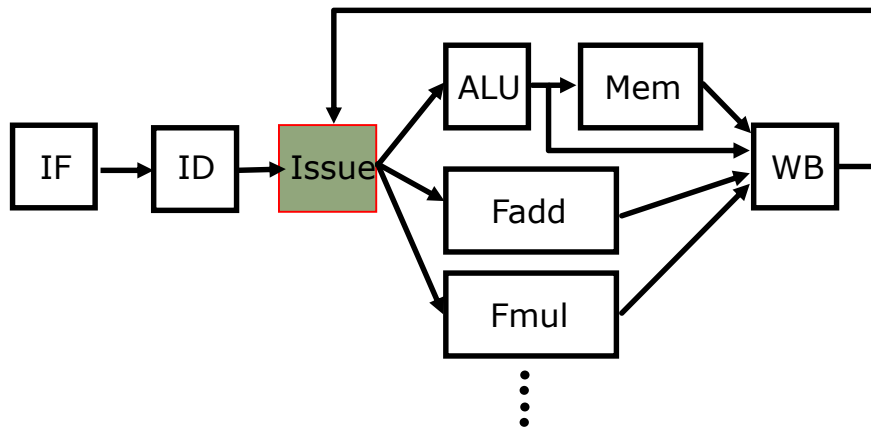


Find something else to do!

- Issue stage buffer holds multiple instructions waiting to issue.
- Decode adds next instruction to buffer if there is space and the instruction does not cause a WAR or WAW hazard.

Out-of-Order Issue

How can we address the delay caused by a RAW dependence associated with the next in-order instruction?



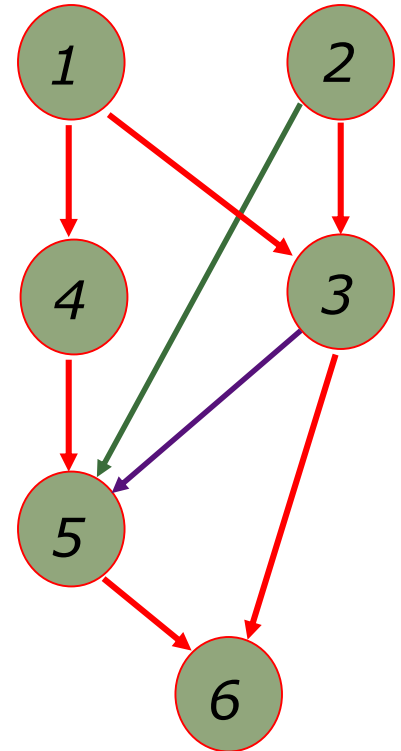
Find something else to do!

- Issue stage buffer holds multiple instructions waiting to issue.
- Decode adds next instruction to buffer if there is space and the instruction does not cause a WAR or WAW hazard.
- Can issue any instruction in buffer whose RAW hazards are satisfied (*for now at most one dispatch per cycle*).
Note: A writeback (WB) may enable more instructions.

In-Order Issue Limitations

An example

					<i>latency</i>
1	LD	F2,	34(R2)		1
2	LD	F4,	45(R3)		<i>long</i>
3	MULTD	F6,	F4,	F2	3
4	SUBD	F8,	F2,	F2	1
5	DIVD	F4,	F2,	F8	4
6	ADDD	F10,	F6,	F4	1

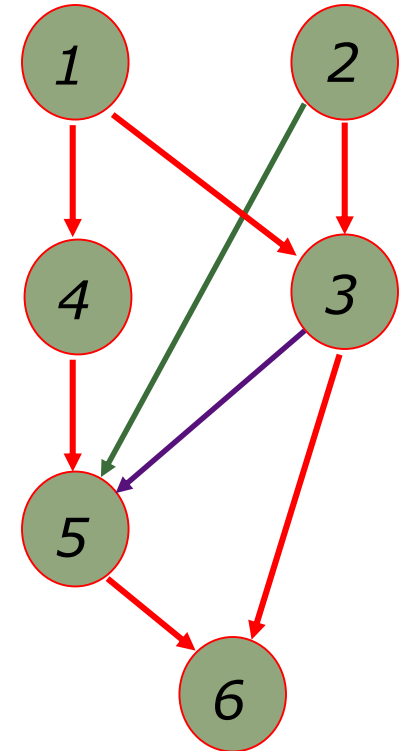


In-order: 1 (2,1) 2 3 4 4 3 5 5 6 6

In-Order Issue Limitations

An example

					<i>latency</i>
1	LD	F2,	34(R2)		1
2	LD	F4,	45(R3)		<i>long</i>
3	MULTD	F6,	F4,	F2	3
4	SUBD	F8,	F2,	F2	1
5	DIVD	F4,	F2,	F8	4
6	ADDD	F10,	F6,	F4	1



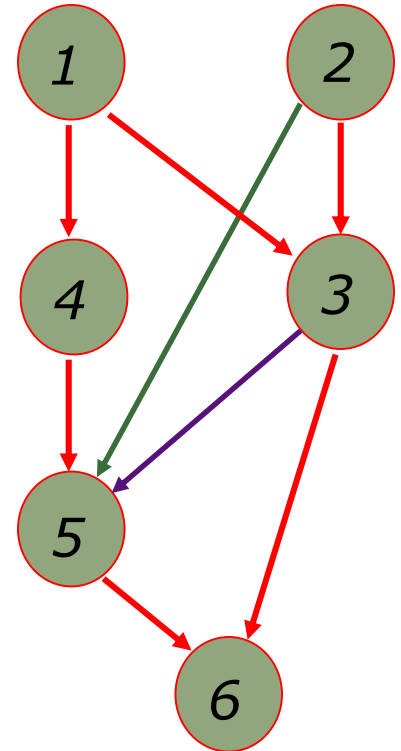
In-order: 1 (2,1) 2 3 4 4 3 5 5 6 6

Out-of-order: 1 (2,1) 4 4 2 3 5 . 3 . 5 6 6

In-Order Issue Limitations

An example

					<i>latency</i>
1	LD	F2,	34(R2)		1
2	LD	F4,	45(R3)		<i>long</i>
3	MULTD	F6,	F4,	F2	3
4	SUBD	F8,	F2,	F2	1
5	DIVD	F4,	F2,	F8	4
6	ADDD	F10,	F6,	F4	1



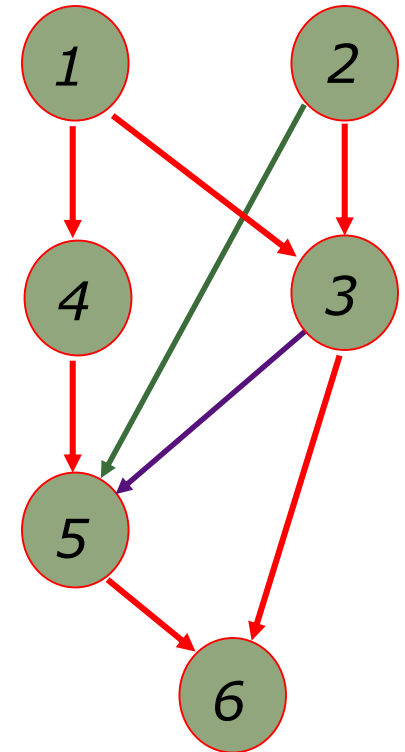
In-order: 1 (2,1) 2 3 4 4 3 5 5 6 6
 Out-of-order: 1 (2,1) 4 4 2 3 5 . 3 . 5 6 6

Out-of-order execution did not produce a significant improvement!

In-Order Issue Limitations

An example

					latency
1	LD	F2,	34(R2)		1
2	LD	F4,	45(R3)		long
3	MULTD	F6,	F4,	F2	3
4	SUBD	F8,	F2,	F2	1
5	DIVD	F4,	F2,	F8	4
6	ADDD	F10,	F6,	F4	1



In-order: 1 (2,1) 2 3 4 4 3 5 5 6 6

Out-of-order: 1 (2,1) 4 4 2 3 5 . 3 . 5 6 6

WAR/WAW hazards prevent instruction 5 from being dispatched

Out-of-order execution did not produce a significant improvement!

How many Instructions can be in the pipeline

Throughput is limited by number of instructions in flight, but which feature of an ISA limits the number of instructions in the pipeline?

How many Instructions can be in the pipeline

Throughput is limited by number of instructions in flight, but which feature of an ISA limits the number of instructions in the pipeline?

Number of Registers

How many Instructions can be in the pipeline

Throughput is limited by number of instructions in flight, but which feature of an ISA limits the number of instructions in the pipeline?

Number of Registers

Out-of-order dispatch by itself does not provide a significant performance improvement!

How many Instructions can be in the pipeline

Throughput is limited by number of instructions in flight, but which feature of an ISA limits the number of instructions in the pipeline?

Number of Registers

Out-of-order dispatch by itself does not provide a significant performance improvement!

How can we better understand the impact of number of registers on throughput?

How many Instructions can be in the pipeline

Throughput is limited by number of instructions in flight, but which feature of an ISA limits the number of instructions in the pipeline?

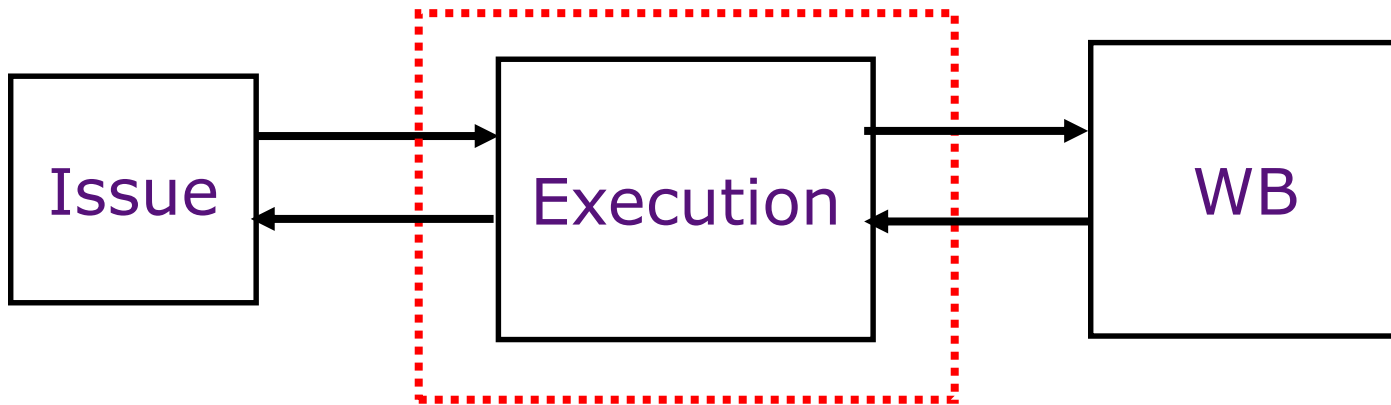
Number of Registers

Out-of-order dispatch by itself does not provide a significant performance improvement!

How can we better understand the impact of number of registers on throughput?

Little's Law

Throughput (\bar{T}) = Number in Flight (\bar{N}) / Latency (\bar{L})



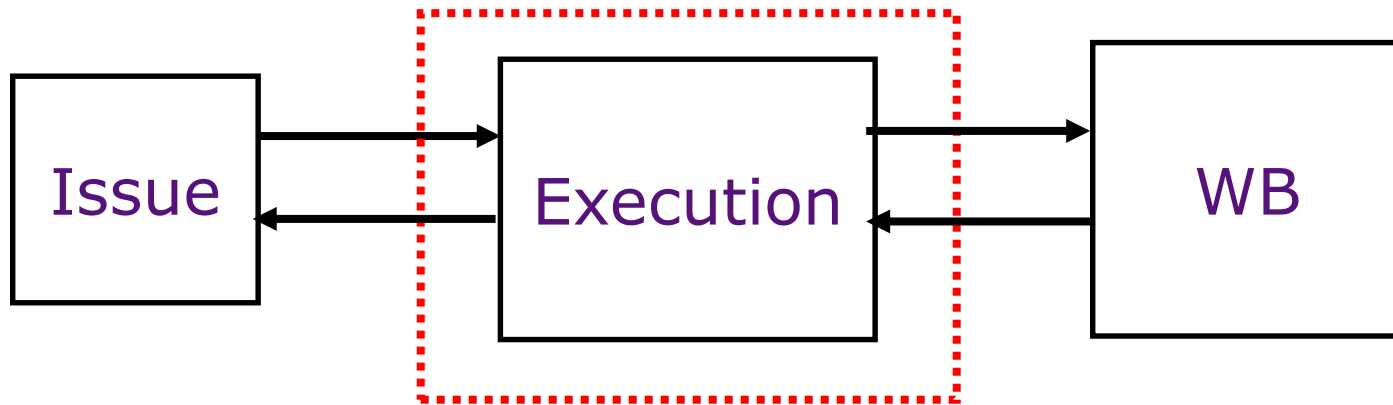
Example:

*4 floating point registers
8 cycles per floating point operation*

⇒

Little's Law

Throughput (\bar{T}) = Number in Flight (\bar{N}) / Latency (\bar{L})



Example:

4 floating point registers

8 cycles per floating point operation

⇒ 1/2 issues per cycle!

Overcoming the Lack of Register Names

Floating Point pipelines often cannot be kept filled with small number of registers.

IBM 360 had only 4 Floating Point Registers

Can a microarchitecture use more registers than specified by the ISA without loss of ISA compatibility ?

Overcoming the Lack of Register Names

Floating Point pipelines often cannot be kept filled with small number of registers.

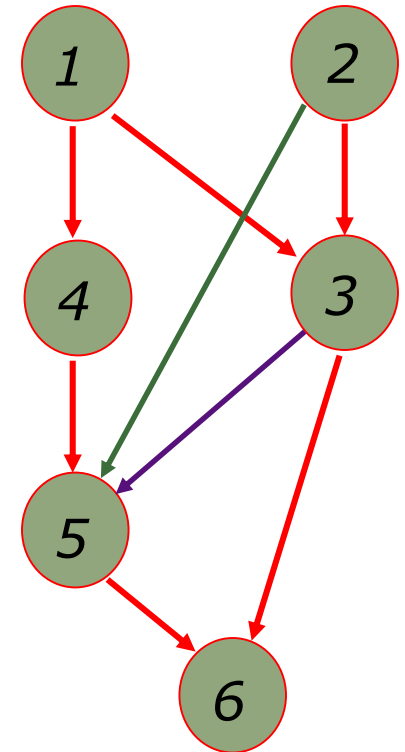
IBM 360 had only 4 Floating Point Registers

Can a microarchitecture use more registers than specified by the ISA without loss of ISA compatibility ?

Yes, Robert Tomasulo of IBM suggested an ingenious solution in 1967 based on *on-the-fly register renaming*

Instruction-level Parallelism via Renaming

					<i>latency</i>
1	LD	F2,	34(R2)		1
2	LD	F4,	45(R3)		<i>long</i>
3	MULTD	F6,	F4,	F2	3
4	SUBD	F8,	F2,	F2	1
5	DIVD	F4,	F2,	F8	4
6	ADDD	F10,	F6,	F4	1

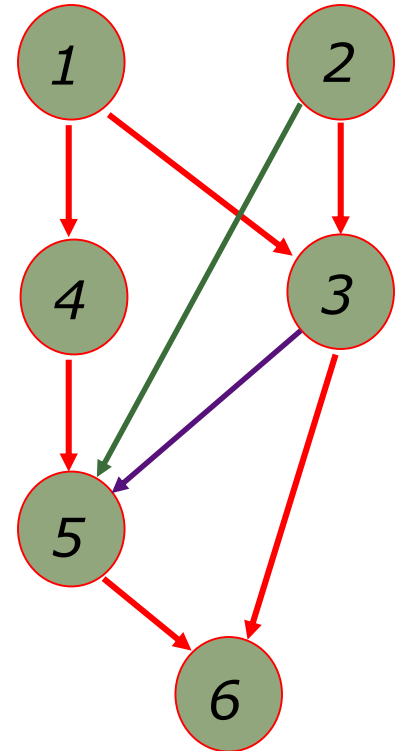


In-order:

1 (2,1) 2 3 4 4 3 5 5 6 6
 - - - - - - - -

Instruction-level Parallelism via Renaming

					<i>latency</i>
1	LD	F2,	34(R2)		1
2	LD	F4,	45(R3)		<i>long</i>
3	MULTD	F6,	F4,	F2	3
4	SUBD	F8,	F2,	F2	1
5	DIVD	F4,	F2,	F8	4
6	ADDD	F10,	F6,	F4	1

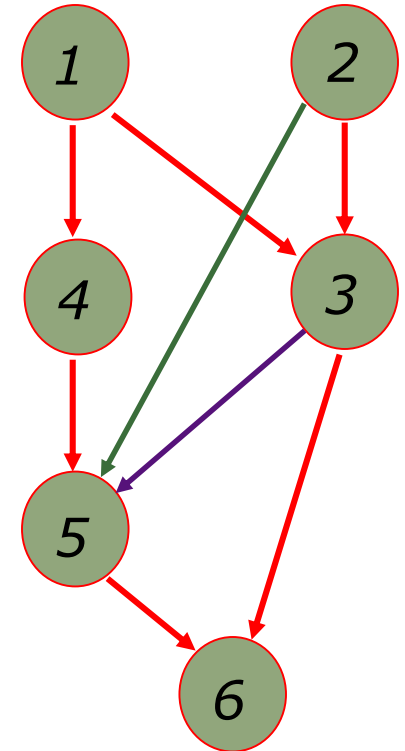


In-order: 1 (2,1) 2 3 4 4 3 5 . . . 5 6 6
 - - - - - -

Renaming eliminates WAR and WAW hazards

Instruction-level Parallelism via Renaming

					<i>latency</i>
1	LD	F2,	34(R2)		1
2	LD	F4,	45(R3)		<i>long</i>
3	MULTD	F6,	F4,	F2	3
4	SUBD	F8,	F2,	F2	1
5	DIVD	F4,	F2,	F8	4
6	ADDD	F10,	F6,	F4	1

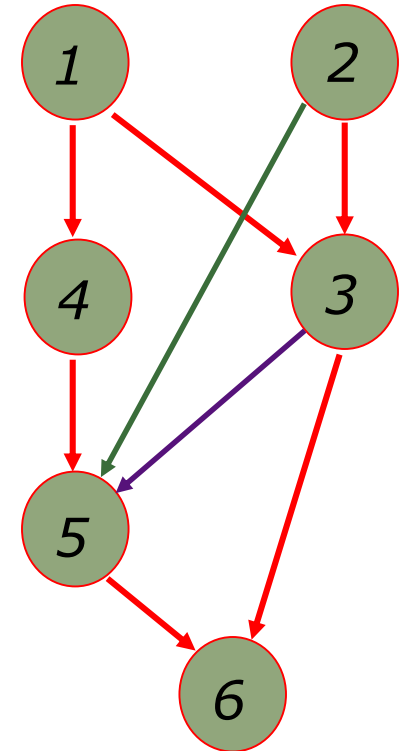


In-order: 1 (2,1) 2 3 4 4 3 5 . . . 5 6 6
 - - - - - -

*Renaming eliminates WAR and WAW hazards
 (renaming \Rightarrow additional storage)*

Instruction-level Parallelism via Renaming

					<i>latency</i>
1	LD	F2,	34(R2)		1
2	LD	F4,	45(R3)		<i>long</i>
3	MULTD	F6,	F4,	F2	3
4	SUBD	F8,	F2,	F2	1
5	DIVD	F4' ,	F2,	F8	4
6	ADDD	F10,	F6,	F4'	1

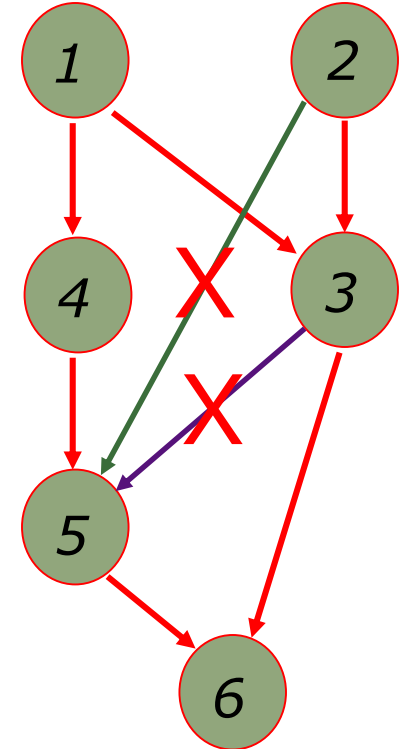


In-order: 1 (2,1) 2 3 4 4 3 5 . . . 5 6 6
 - - - - - -

*Renaming eliminates WAR and WAW hazards
 (renaming \Rightarrow additional storage)*

Instruction-level Parallelism via Renaming

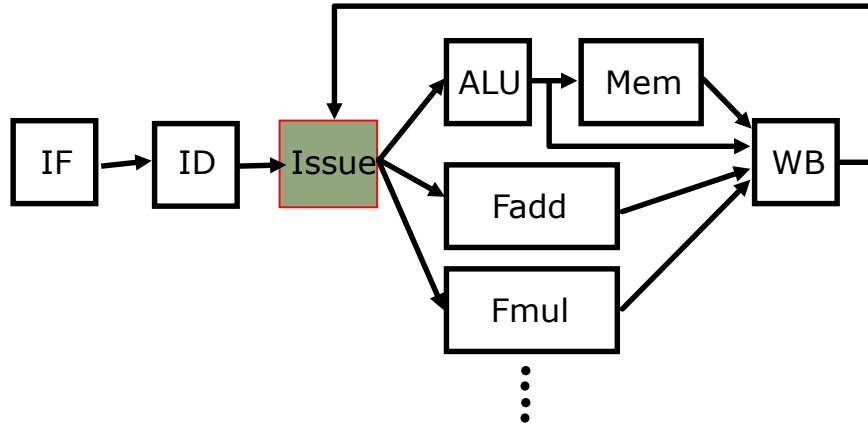
					latency
1	LD	F2,	34(R2)		1
2	LD	F4,	45(R3)		long
3	MULTD	F6,	F4,	F2	3
4	SUBD	F8,	F2,	F2	1
5	DIVD	F4',	F2,	F8	4
6	ADDD	F10,	F6,	F4'	1



In-order: 1 (2,1) 2 3 4 4 3 5 . . . 5 6 6
 Out-of-order: 1 (2,1) 4 4 5 . . . (2,5) 3 . . 3 6 6

*Renaming eliminates WAR and WAW hazards
 (renaming \Rightarrow additional storage)*

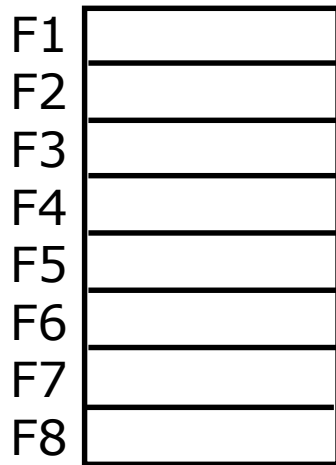
Handling register dependencies



- Decode does register renaming, providing a new spot for each register write
 - Renaming eliminates WAR and WAW hazards by allowing use of more storage space
- Renamed instructions added to an issue stage structure, called the **reorder buffer (ROB)**. Any instruction in the ROB whose RAW hazards have been satisfied can be dispatched
 - Out-of-order or dataflow execution handles RAW hazards

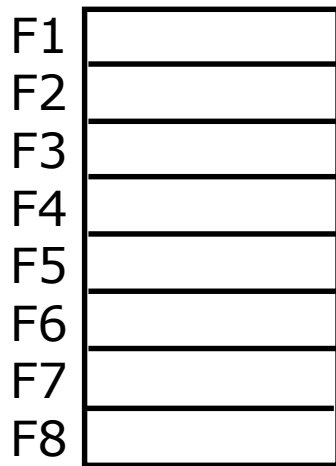
Reorder Buffer

Register File

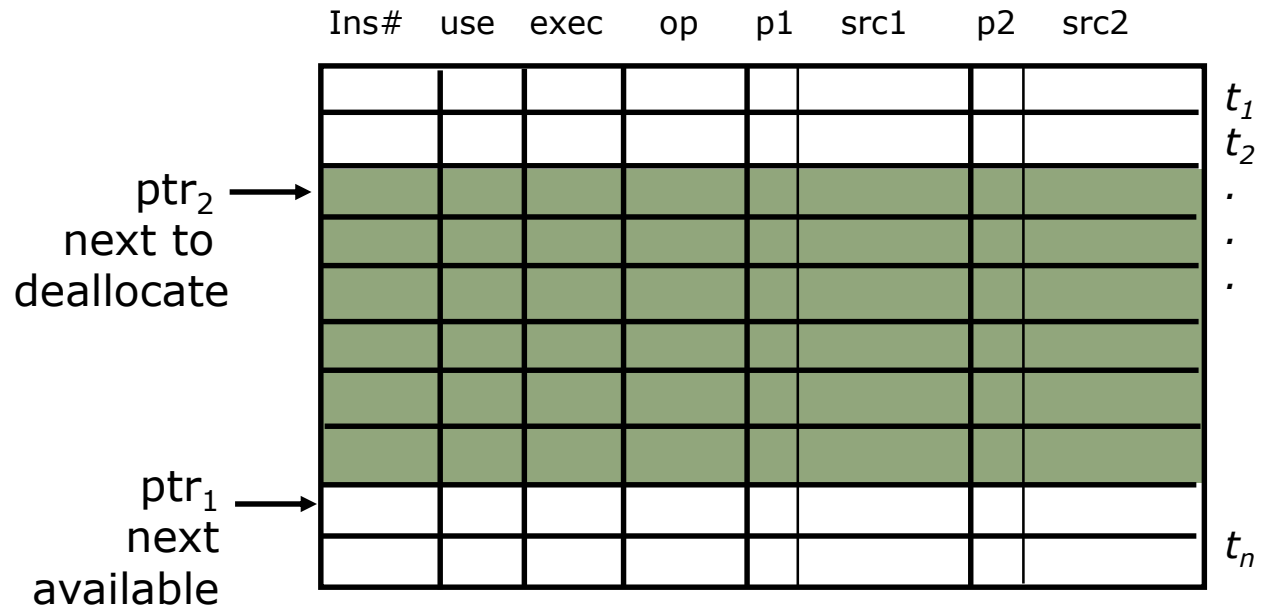


Reorder Buffer

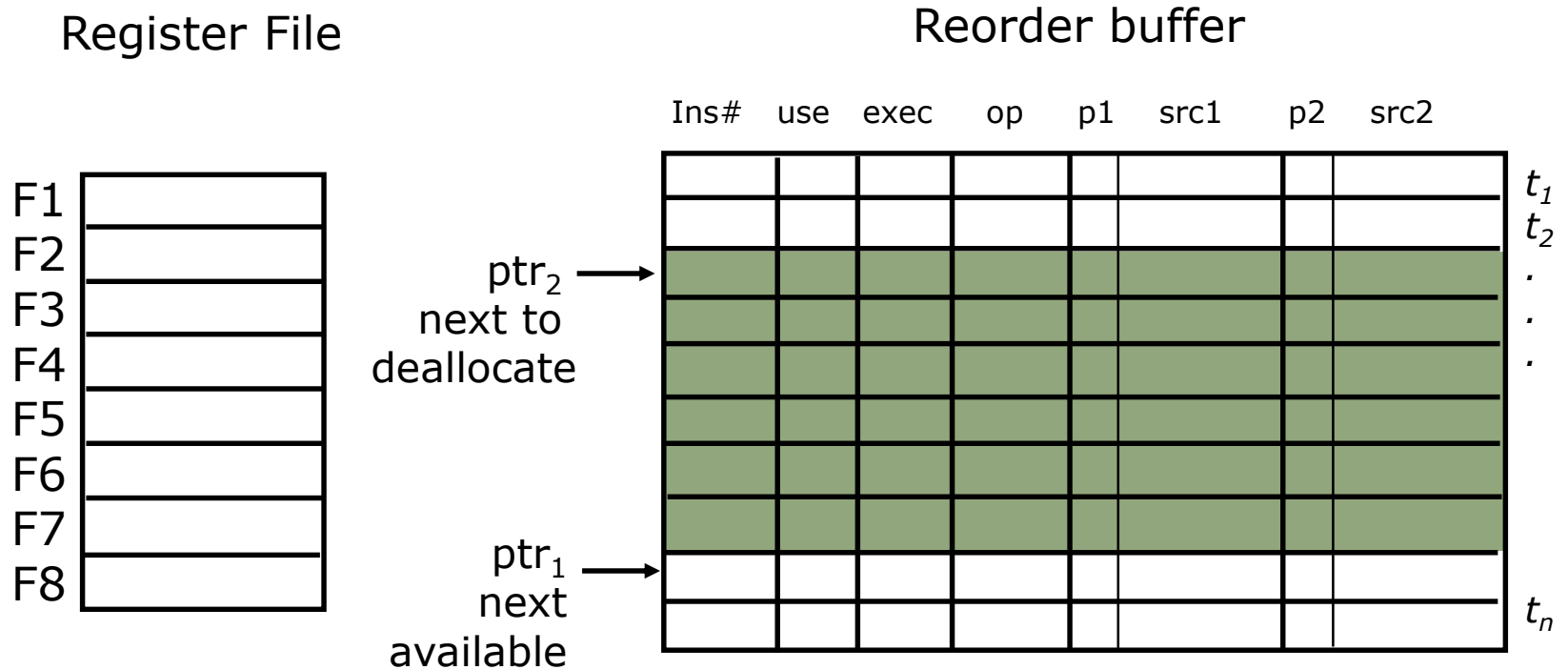
Register File



Reorder buffer



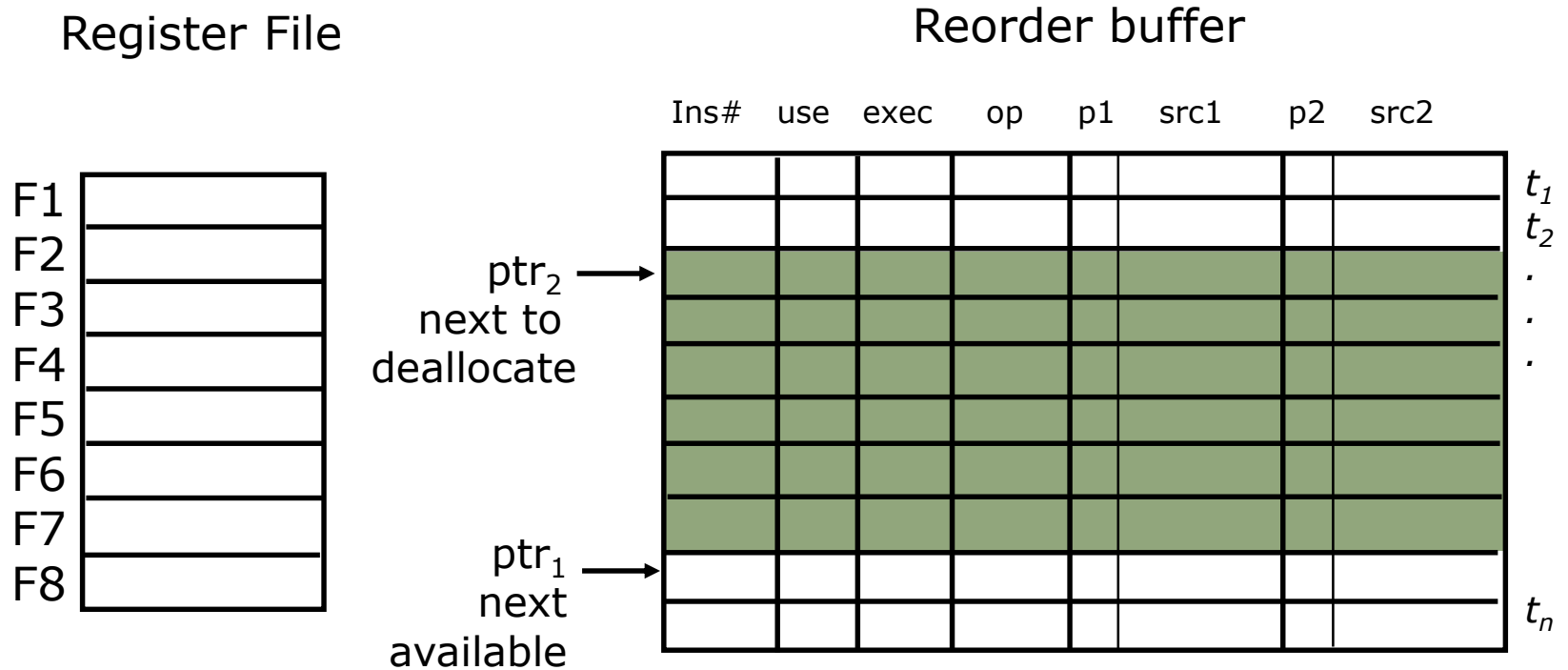
Reorder Buffer



Instruction slot is candidate for execution when:

- It holds a valid instruction ("use" bit is set)
- It has not already started execution ("exec" bit is clear)
- Both operands are available ("present" bits p1 and p2 are set)

Reorder Buffer

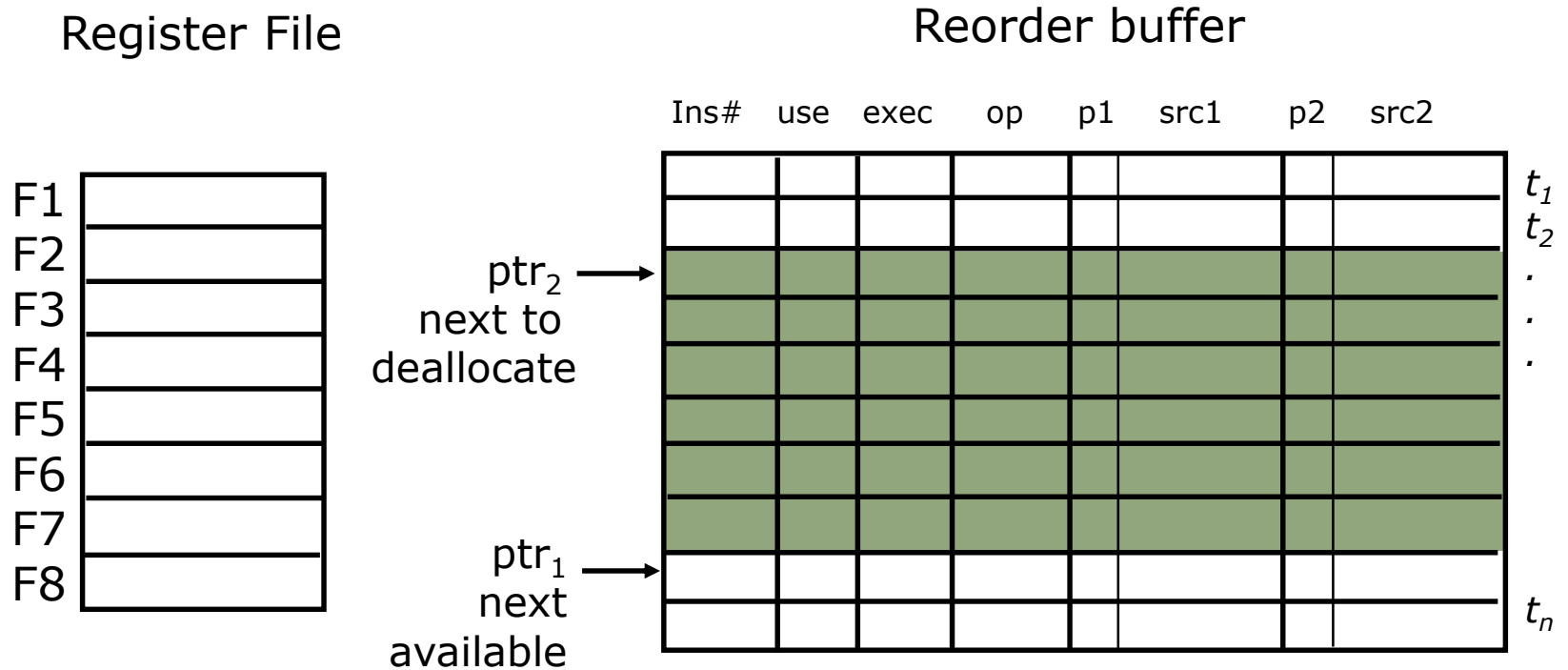


Instruction slot is candidate for execution when:

- It holds a valid instruction ("use" bit is set)
- It has not already started execution ("exec" bit is clear)
- Both operands are available ("present" bits p1 and p2 are set)

Is it obvious where an architectural register value is?

Reorder Buffer



Instruction slot is candidate for execution when:

- It holds a valid instruction ("use" bit is set)
- It has not already started execution ("exec" bit is clear)
- Both operands are available ("present" bits p1 and p2 are set)

Is it obvious where an architectural register value is? **No**

Renaming & Out-of-order Issue

Renaming table & reg file

	p	data
F1		
F2		
F3		
F4		
F5		
F6		
F7		
F8		

Reorder buffer

Ins#	use	exec	op	p1	src1	p2	src2	
								t_1
								t_2
								t_3
								t_4
								t_5
								.
								.

Holds data (v_i)
or tag(t_i)

Renaming & Out-of-order Issue

Renaming table & reg file

	p	data
F1		
F2		
F3		
F4		
F5		
F6		
F7		
F8		

Reorder buffer

Ins#	use	exec	op	p1	src1	p2	src2	
								t_1
								t_2
								t_3
								t_4
								t_5
								.
								.

Holds data (v_i)
or tag(t_i)

- *When are names in sources replaced by data?*
- *When can a name be reused?*

Renaming & Out-of-order Issue

Renaming table & reg file

	p	data
F1		
F2		
F3		
F4		
F5		
F6		
F7		
F8		

Reorder buffer

Ins#	use	exec	op	p1	src1	p2	src2	
								t_1
								t_2
								t_3
								t_4
								t_5
								.
								.

Holds data (v_i)
or tag(t_i)

- *When are names in sources replaced by data?*
Whenever an FU produces data
- *When can a name be reused?*

Renaming & Out-of-order Issue

Renaming table & reg file

	p	data
F1		
F2		
F3		
F4		
F5		
F6		
F7		
F8		

Reorder buffer

Ins#	use	exec	op	p1	src1	p2	src2	
								t_1
								t_2
								t_3
								t_4
								t_5
								.
								.

Holds data (v_i)
or tag(t_i)

- *When are names in sources replaced by data?*
Whenever an FU produces data
- *When can a name be reused?*
Whenever an instruction completes

Renaming & Out-of-order Issue

An example

Renaming table & reg file

	p	data
F1		
F2	0	t1
F3		
F4		
F5		
F6		
F7		
F8		

data (v_i) / tag(t_i)

Reorder buffer

Ins#	use	exec	op	p1	src1	p2	src2
1	1	0	LD				

t_1
 t_2
 t_3
 t_4
 t_5
.
.

- *Insert instruction in ROB*
- *Issue instruction from ROB*
- *Complete instruction*
- *Empty ROB entry*

1	LD	F2,	34(R2)
2	LD	F4,	45(R3)
3	MULTD	F6,	F4, F2
4	SUBD	F8,	F2, F2
5	DIVD	F4,	F2, F8
6	ADDD	F10,	F6, F4

Renaming & Out-of-order Issue

An example

Renaming table & reg file

	p	data
F1		
F2	0	t1
F3		
F4		
F5		
F6		
F7		
F8		

data (v_i) / tag(t_i)

Reorder buffer

Ins#	use	exec	op	p1	src1	p2	src2
1	1	1	LD				

t_1
 t_2
 t_3
 t_4
 t_5
.
.

- *Insert instruction in ROB*
- *Issue instruction from ROB*
- *Complete instruction*
- *Empty ROB entry*

1	LD	F2,	34(R2)
2	LD	F4,	45(R3)
3	MULTD	F6,	F4, F2
4	SUBD	F8,	F2, F2
5	DIVD	F4,	F2, F8
6	ADDD	F10,	F6, F4

Renaming & Out-of-order Issue

An example

Renaming table & reg file

	p	data
F1		
F2	1	v1
F3		
F4		
F5		
F6		
F7		
F8		

data (v_i) / tag(t_i)

Reorder buffer

Ins#	use	exec	op	p1	src1	p2	src2
	0						

t_1
 t_2
 t_3
 t_4
 t_5
.
.

- *Insert instruction in ROB*
- *Issue instruction from ROB*
- *Complete instruction*
- *Empty ROB entry*

1	LD	F2,	34(R2)
2	LD	F4,	45(R3)
3	MULTD	F6,	F4, F2
4	SUBD	F8,	F2, F2
5	DIVD	F4,	F2, F8
6	ADDD	F10,	F6, F4

Renaming & Out-of-order Issue

An example

Renaming table & reg file

	p	data
F1		
F2	1	v1
F3		
F4	0	t2
F5		
F6	0	t3
F7		
F8	0	t4

data (v_i) / tag(t_i)

Reorder buffer

Ins#	use	exec	op	p1	src1	p2	src2
	0						
2	1	1	LD				
3	1	0	MUL	0	t2	1	v1
4	1	1	SUB	1	v1	1	v1

t_1
 t_2
 t_3
 t_4
 t_5
.
.

- *Insert instruction in ROB*
- *Issue instruction from ROB*
- *Complete instruction*
- *Empty ROB entry*

1	LD	F2,	34(R2)
2	LD	F4,	45(R3)
3	MULTD	F6,	F4, F2
4	SUBD	F8,	F2, F2
5	DIVD	F4,	F2, F8
6	ADDD	F10,	F6, F4

Renaming & Out-of-order Issue

An example

Renaming table & reg file

	p	data
F1		
F2	1	v1
F3		
F4	0	t2
F5		
F6	0	t3
F7		
F8	0	t4

data (v_i) / tag(t_i)

Reorder buffer

Ins#	use	exec	op	p1	src1	p2	src2
	0						
2	1	1	LD				
3	1	0	MUL	0	t2	1	v1
4	1	1	SUB	1	v1	1	v1
5	1	0	DIV	1	v1	0	t4

t_1
 t_2
 t_3
 t_4
 t_5
.
.

- *Insert instruction in ROB*
- *Issue instruction from ROB*
- *Complete instruction*
- *Empty ROB entry*

1	LD	F2,	34(R2)
2	LD	F4,	45(R3)
3	MULTD	F6,	F4, F2
4	SUBD	F8,	F2, F2
5	DIVD	F4,	F2, F8
6	ADDD	F10,	F6, F4

Renaming & Out-of-order Issue

An example

Renaming table & reg file

	p	data
F1		
F2	1	v1
F3		
F4		
F5		
F6	0	t3
F7		
F8	0	t4

data (v_i) / tag(t_i)

Reorder buffer

Ins#	use	exec	op	p1	src1	p2	src2
	0						
2	1	1	LD				
3	1	0	MUL	0	t2	1	v1
4	1	1	SUB	1	v1	1	v1
5	1	0	DIV	1	v1	0	t4

t_1
 t_2
 t_3
 t_4
 t_5
.
.

- *Insert instruction in ROB*
- *Issue instruction from ROB*
- *Complete instruction*
- *Empty ROB entry*

1	LD	F2,	34(R2)
2	LD	F4,	45(R3)
3	MULTD	F6,	F4, F2
4	SUBD	F8,	F2, F2
5	DIVD	F4,	F2, F8
6	ADDD	F10,	F6, F4

Renaming & Out-of-order Issue

An example

Renaming table & reg file

	p	data
F1		
F2	1	v1
F3		
F4	0	t5
F5		
F6	0	t3
F7		
F8	0	t4

data (v_i) / tag(t_i)

Reorder buffer

Ins#	use	exec	op	p1	src1	p2	src2
	0						
2	1	1	LD				
3	1	0	MUL	0	t2	1	v1
4	1	1	SUB	1	v1	1	v1
5	1	0	DIV	1	v1	0	t4

t_1
 t_2
 t_3
 t_4
 t_5
.
.

- Insert instruction in ROB
- Issue instruction from ROB
- Complete instruction
- Empty ROB entry

1	LD	F2,	34(R2)
2	LD	F4,	45(R3)
3	MULTD	F6,	F4, F2
4	SUBD	F8,	F2, F2
5	DIVD	F4,	F2, F8
6	ADDD	F10,	F6, F4

Renaming & Out-of-order Issue

An example

Renaming table & reg file

	p	data
F1		
F2	1	v1
F3		
F4	0	t5
F5		
F6	0	t3
F7		
F8	0	t4

data (v_i) / tag(t_i)

Reorder buffer

Ins#	use	exec	op	p1	src1	p2	src2
	0						
2	1	1	LD				
3	1	0	MUL	0	t2	1	v1
4	0						
5	1	0	DIV	1	v1	0	t4

t_1
 t_2
 t_3
 t_4
 t_5
.
.

- Insert instruction in ROB
- Issue instruction from ROB
- Complete instruction
- Empty ROB entry

1	LD	F2,	34(R2)
2	LD	F4,	45(R3)
3	MULTD	F6,	F4, F2
4	SUBD	F8,	F2, F2
5	DIVD	F4,	F2, F8
6	ADDD	F10,	F6, F4

Renaming & Out-of-order Issue

An example

Renaming table & reg file

	p	data
F1		
F2	1	v1
F3		
F4	0	t5
F5		
F6	0	t3
F7		
F8	1	v4

data (v_i) / tag(t_i)

Reorder buffer

Ins#	use	exec	op	p1	src1	p2	src2
	0						
2	1	1	LD				
3	1	0	MUL	0	t2	1	v1
4	0						
5	1	0	DIV	1	v1	1	v4

t_1
 t_2
 t_3
 t_4
 t_5
.
.

- *Insert instruction in ROB*
- *Issue instruction from ROB*
- *Complete instruction*
- *Empty ROB entry*

1	LD	F2,	34(R2)
2	LD	F4,	45(R3)
3	MULTD	F6,	F4, F2
4	SUBD	F8,	F2, F2
5	DIVD	F4,	F2, F8
6	ADDD	F10,	F6, F4

Renaming & Out-of-order Issue

An example

Renaming table & reg file

	p	data
F1		
F2	1	v1
F3		
F4	0	t5
F5		
F6	0	t3
F7		
F8	1	v4

data (v_i) / tag(t_i)

Reorder buffer

Ins#	use	exec	op	p1	src1	p2	src2
	0						
2	1	1	LD				
3	1	0	MUL	0	t2	1	v1
4	0						
5	1	1	DIV	1	v1	1	v4

t_1
 t_2
 t_3
 t_4
 t_5
.
.

- *Insert instruction in ROB*
- *Issue instruction from ROB*
- *Complete instruction*
- *Empty ROB entry*

1	LD	F2,	34(R2)
2	LD	F4,	45(R3)
3	MULTD	F6,	F4, F2
4	SUBD	F8,	F2, F2
5	DIVD	F4,	F2, F8
6	ADDD	F10,	F6, F4

Renaming & Out-of-order Issue

An example

Renaming table & reg file

	p	data
F1		
F2	1	v1
F3		
F4	0	t5
F5		
F6	0	t3
F7		
F8	1	v4

data (v_i) / tag(t_i)

Reorder buffer

Ins#	use	exec	op	p1	src1	p2	src2
	0						
2	0						
3	1	0	MUL	0	t2	1	v1
4	0						
5	1	1	DIV	1	v1	1	v4

t_1
 t_2
 t_3
 t_4
 t_5
.
.

- *Insert instruction in ROB*
- *Issue instruction from ROB*
- *Complete instruction*
- *Empty ROB entry*

1	LD	F2,	34(R2)
2	LD	F4,	45(R3)
3	MULTD	F6,	F4, F2
4	SUBD	F8,	F2, F2
5	DIVD	F4,	F2, F8
6	ADDD	F10,	F6, F4

Renaming & Out-of-order Issue

An example

Renaming table & reg file

	p	data
F1		
F2	1	v1
F3		
F4	0	t5
F5		
F6	0	t3
F7		
F8	1	v4

data (v_i) / tag(t_i)

Reorder buffer

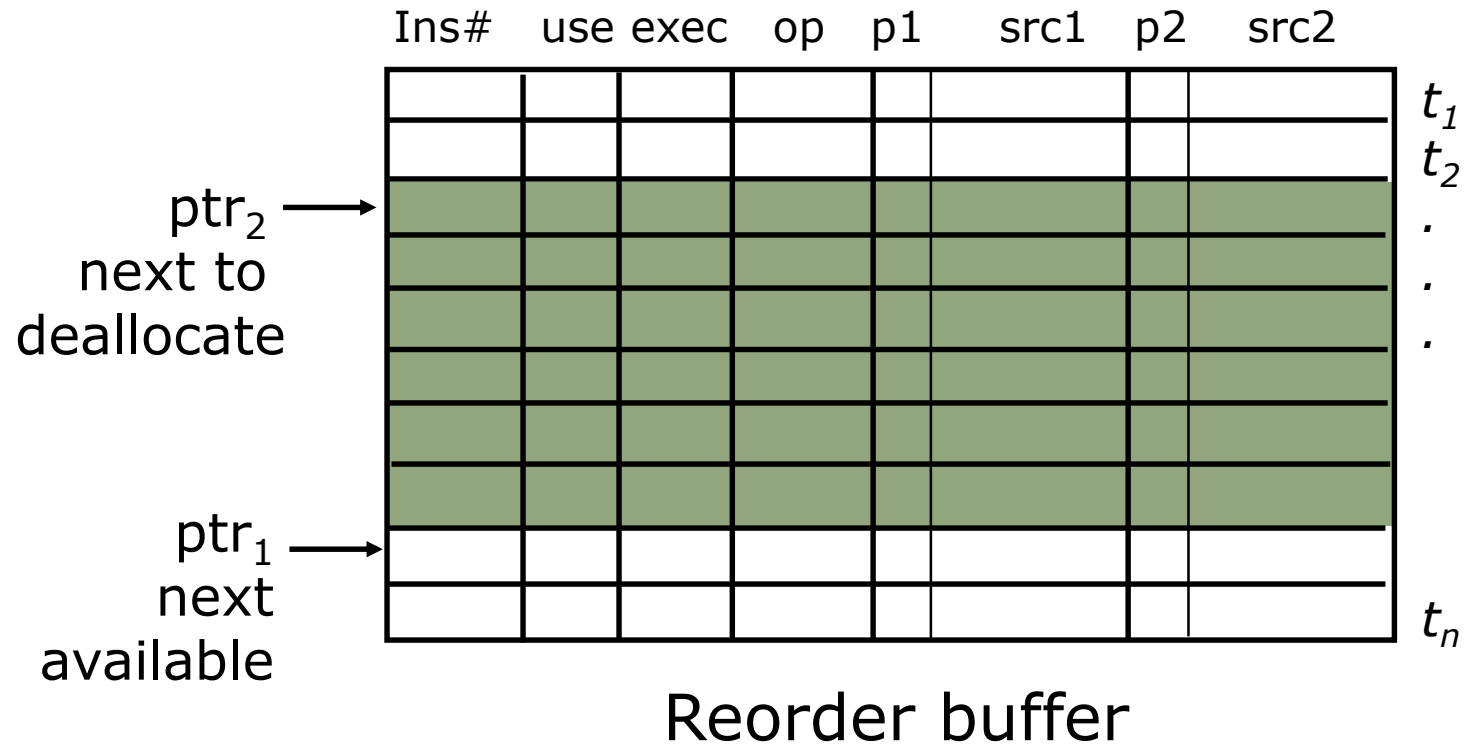
Ins#	use	exec	op	p1	src1	p2	src2
	0						
2	0						
3	1	0	MUL	1	v2	1	v1
4	0						
5	1	1	DIV	1	v1	1	v4

t_1
 t_2
 t_3
 t_4
 t_5
.
.

- *Insert instruction in ROB*
- *Issue instruction from ROB*
- *Complete instruction*
- *Empty ROB entry*

1	LD	F2,	34(R2)
2	LD	F4,	45(R3)
3	MULTD	F6,	F4, F2
4	SUBD	F8,	F2, F2
5	DIVD	F4,	F2, F8
6	ADDD	F10,	F6, F4

Simplifying Allocation/Deallocation



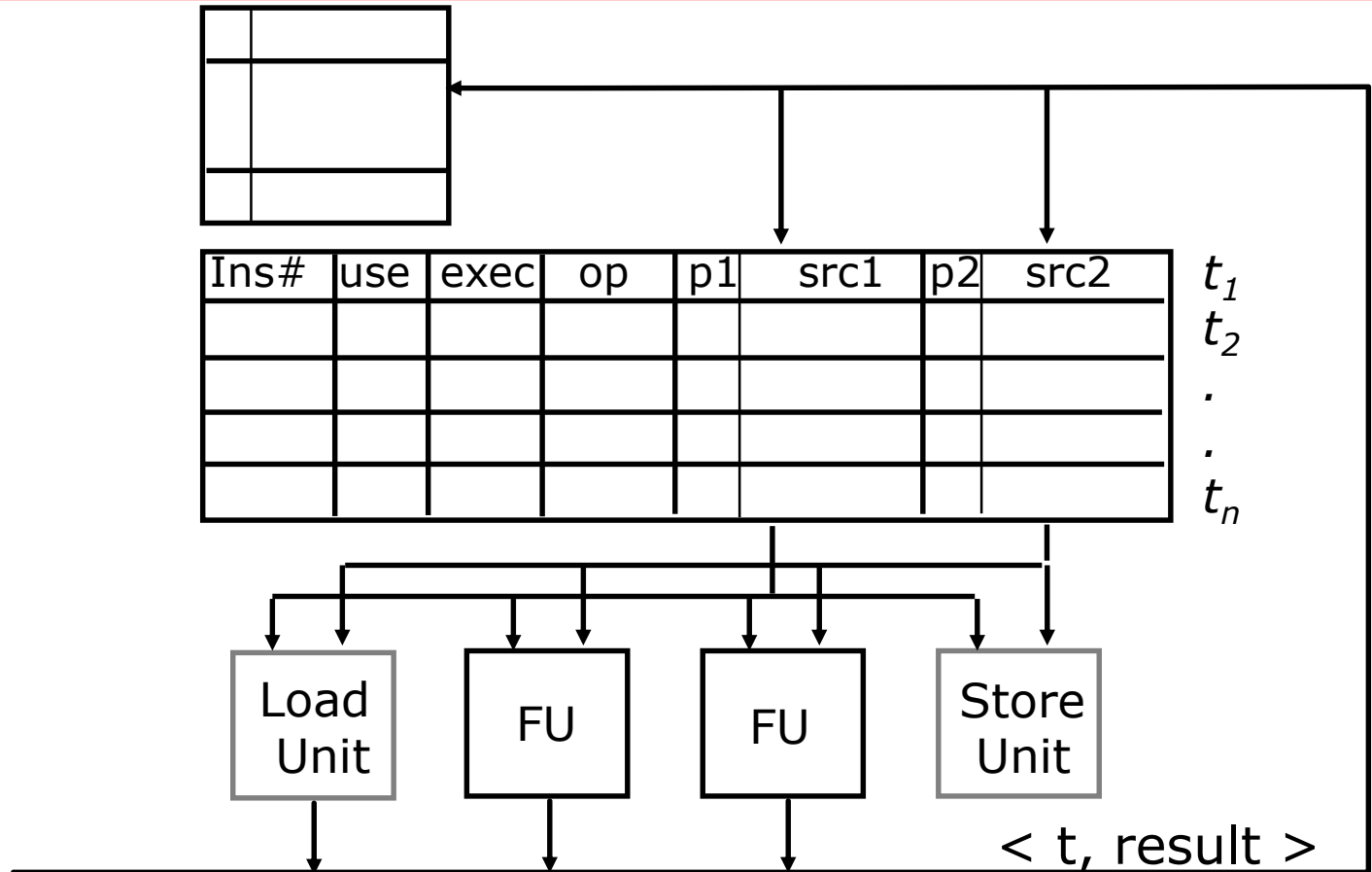
Instruction buffer is managed circularly

- Set "exec" bit when instruction begins execution
- When an instruction completes its "use" bit is marked free
- Increment ptr_2 only if the "use" bit is marked free

Data-Driven Execution

*Renaming
table &
reg file*

*Reorder
buffer*



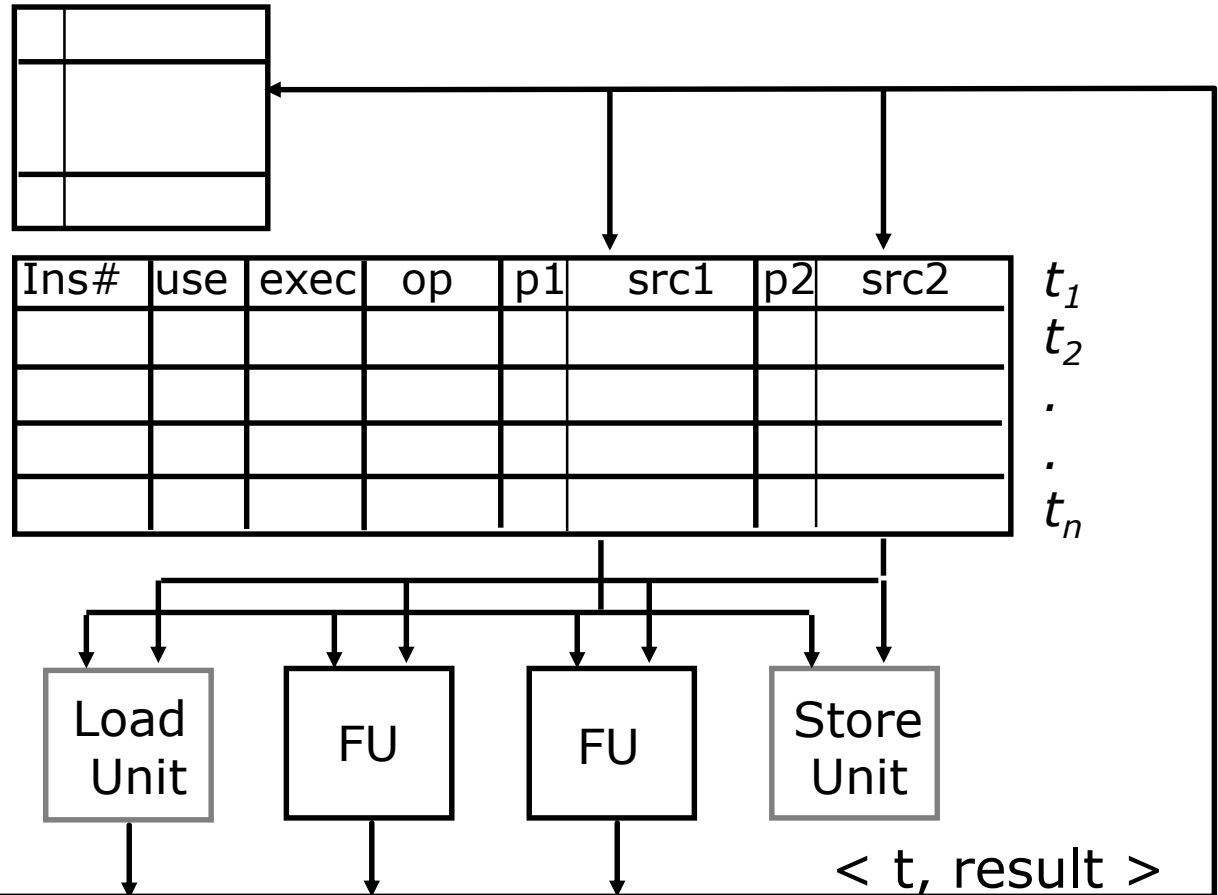
- Instruction template (i.e., tag t) is allocated by the Decode stage, which also stores the tag in the reg file
- When an instruction completes, its tag is deallocated

Data-Driven Execution

*Renaming
table &
reg file*

*Reorder
buffer*

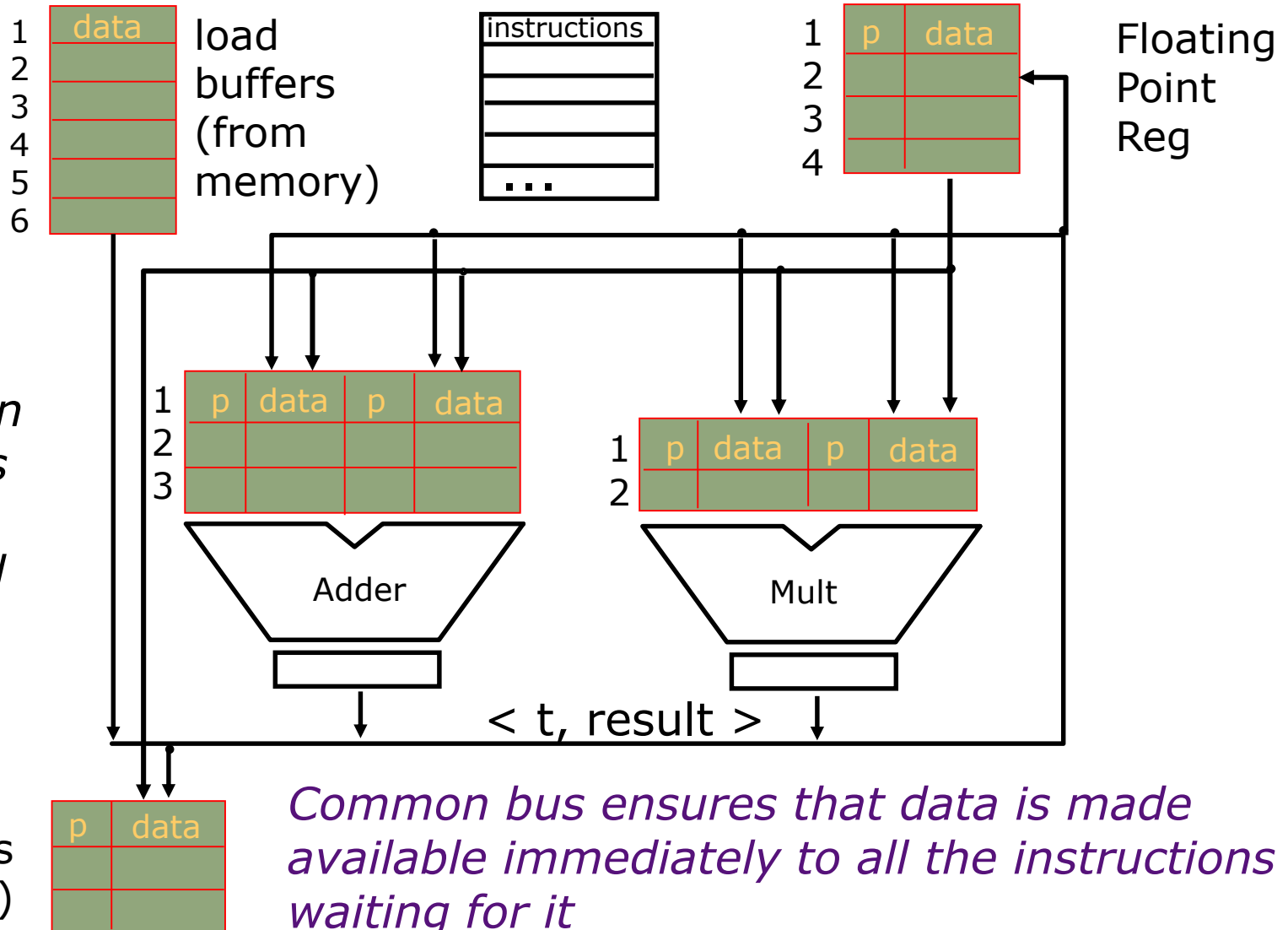
Replacing the
tag by its value
is an expensive
operation



- Instruction template (i.e., tag t) is allocated by the Decode stage, which also stores the tag in the reg file
- When an instruction completes, its tag is deallocated

IBM 360/91 Floating Point Unit

R. M. Tomasulo, 1967



Effectiveness?

Renaming and Out-of-order execution was first implemented in 1969 in IBM 360/91 but was effective only on a very small class of problems and thus did not show up in the subsequent models until mid-nineties.

Why?

Effectiveness?

Renaming and Out-of-order execution was first implemented in 1969 in IBM 360/91 but was effective only on a very small class of problems and thus did not show up in the subsequent models until mid-nineties.

Why?

1. Did not address the memory latency problem which turned out be a much bigger issue than FU latency
2. Made exceptions imprecise

Effectiveness?

Renaming and Out-of-order execution was first implemented in 1969 in IBM 360/91 but was effective only on a very small class of problems and thus did not show up in the subsequent models until mid-nineties.

Why?

1. Did not address the memory latency problem which turned out to be a much bigger issue than FU latency
2. Made exceptions imprecise

One more problem needed to be solved

Effectiveness?

Renaming and Out-of-order execution was first implemented in 1969 in IBM 360/91 but was effective only on a very small class of problems and thus did not show up in the subsequent models until mid-nineties.

Why?

1. Did not address the memory latency problem which turned out to be a much bigger issue than FU latency
2. Made exceptions imprecise

One more problem needed to be solved

Branch/jump penalties

Effectiveness?

Renaming and Out-of-order execution was first implemented in 1969 in IBM 360/91 but was effective only on a very small class of problems and thus did not show up in the subsequent models until mid-nineties.

Why?

1. Did not address the memory latency problem which turned out to be a much bigger issue than FU latency
2. Made exceptions imprecise

One more problem needed to be solved

Branch/jump penalties

More on this in the next lecture

Reminder: Precise Exceptions

Exceptions are relatively unlikely events that need special processing, but where adding explicit control flow instructions is not desired, e.g., divide by 0, page fault

Exceptions can be viewed as an implicit conditional subroutine call that is inserted between two instructions.

Therefore, it must appear as if the exception is taken between two instructions (say I_i and I_{i+1})

- the effect of all instructions up to and including I_i is complete
- no effect of any instruction after I_i has taken place

The handler either aborts the program or restarts it at I_{i+1} .

Effect on Exceptions

Out-of-order Completion

I_1	DIVD	f6,	f6,	f4
I_2	LD	f2,	45(r3)	
I_3	MULTD	f0,	f2,	f4
I_4	DIVD	f8,	f6,	f2
I_5	SUBD	f10,	f0,	f6
I_6	ADDD	f6,	f8,	f2

out-of-order comp 1 2 2 3 1 4 3 5 5 4 6 6

Effect on Exceptions

Out-of-order Completion

I_1	DIVD	f6,	f6,	f4
I_2	LD	f2,	45(r3)	
I_3	MULTD	f0,	f2,	f4
I_4	DIVD	f8,	f6,	f2
I_5	SUBD	f10,	f0,	f6
I_6	ADDD	f6,	f8,	f2

out-of-order comp 1 2 2 3 1 4 3 5 5 4 6 6

Consider exceptions
on "DIVD"s

Effect on Exceptions

Out-of-order Completion

I_1	DIVD	f6,	f6,	f4
I_2	LD	f2,	45(r3)	
I_3	MULTD	f0,	f2,	f4
I_4	DIVD	f8,	f6,	f2
I_5	SUBD	f10,	f0,	f6
I_6	ADDD	f6,	f8,	f2

out-of-order comp 1 2 2 3 1 4 3 5 5 4 6 6

Consider exceptions
on "DIVD"s



Effect on Exceptions

Out-of-order Completion

I_1	DIVD	f6,	f6,	f4
I_2	LD	f2,	45(r3)	
I_3	MULTD	f0,	f2,	f4
I_4	DIVD	f8,	f6,	f2
I_5	SUBD	f10,	f0,	f6
I_6	ADDD	f6,	f8,	f2

out-of-order comp 1 2 2 3 1 4 3 5 5 4 6 6

restore f2

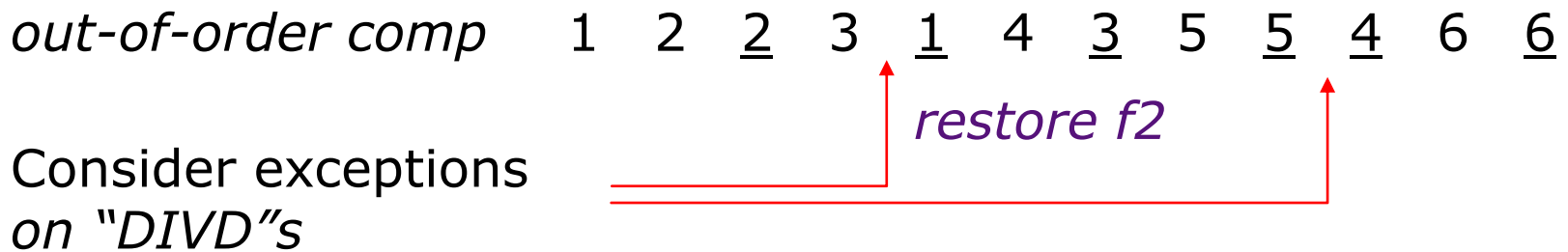
Consider exceptions
on "DIVD"s



Effect on Exceptions

Out-of-order Completion

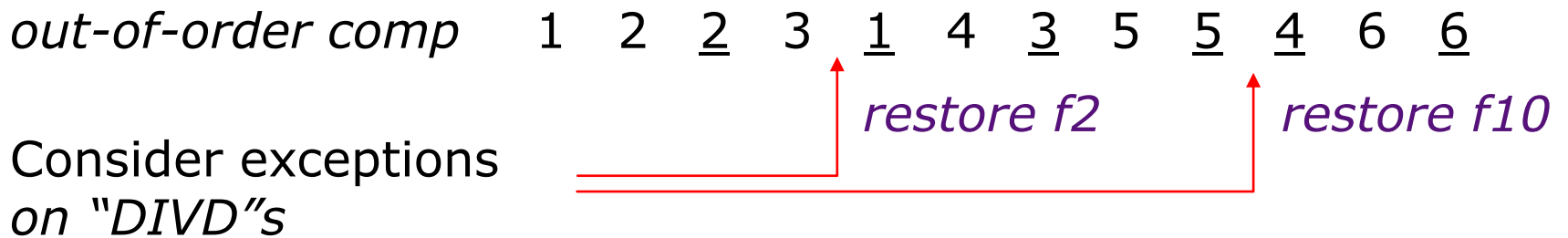
I_1	DIVD	f6,	f6,	f4
I_2	LD	f2,	45(r3)	
I_3	MULTD	f0,	f2,	f4
I_4	DIVD	f8,	f6,	f2
I_5	SUBD	f10,	f0,	f6
I_6	ADDD	f6,	f8,	f2



Effect on Exceptions

Out-of-order Completion

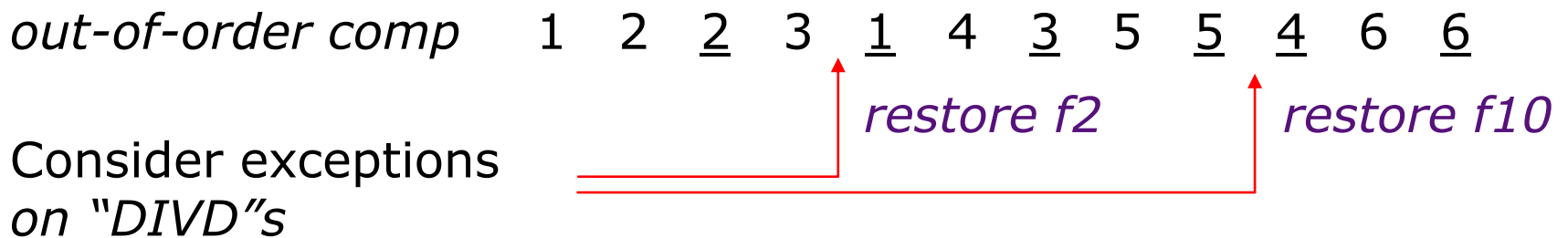
I_1	DIVD	f6,	f6,	f4
I_2	LD	f2,	45(r3)	
I_3	MULTD	f0,	f2,	f4
I_4	DIVD	f8,	f6,	f2
I_5	SUBD	f10,	f0,	f6
I_6	ADDD	f6,	f8,	f2



Effect on Exceptions

Out-of-order Completion

I_1	DIVD	f6,	f6,	f4
I_2	LD	f2,	45(r3)	
I_3	MULTD	f0,	f2,	f4
I_4	DIVD	f8,	f6,	f2
I_5	SUBD	f10,	f0,	f6
I_6	ADDD	f6,	f8,	f2



*Precise exceptions are difficult to implement at high speed
 - want to start execution of later instructions before
 exception checks finished on earlier instructions*

Exceptions

Exceptions

- Exceptions create a dependence on the value of the next PC

Exceptions

- Exceptions create a dependence on the value of the next PC
- Options for handling this dependence:

Exceptions

- Exceptions create a dependence on the value of the next PC
- Options for handling this dependence:
 - Stall

Exceptions

- Exceptions create a dependence on the value of the next PC
- Options for handling this dependence:
 - Stall
 - No

Exceptions

- Exceptions create a dependence on the value of the next PC
 - Options for handling this dependence:
 - Stall
 - Bypass
- No

Exceptions

- Exceptions create a dependence on the value of the next PC
- Options for handling this dependence:
 - Stall No
 - Bypass No

Exceptions

- Exceptions create a dependence on the value of the next PC
- Options for handling this dependence:
 - Stall No
 - Bypass No
 - Find something else to do

Exceptions

- Exceptions create a dependence on the value of the next PC
- Options for handling this dependence:
 - Stall No
 - Bypass No
 - Find something else to do No

Exceptions

- Exceptions create a dependence on the value of the next PC
- Options for handling this dependence:
 - Stall No
 - Bypass No
 - Find something else to do No
 - Change the architecture

Exceptions

- Exceptions create a dependence on the value of the next PC
- Options for handling this dependence:
 - Stall No
 - Bypass No
 - Find something else to do No
 - Change the architecture Sometimes: Alpha, Multiflow

Exceptions

- Exceptions create a dependence on the value of the next PC
- Options for handling this dependence:
 - Stall No
 - Bypass No
 - Find something else to do No
 - Change the architecture Sometimes: Alpha, Multiflow
 - Speculate!

Exceptions

- Exceptions create a dependence on the value of the next PC
- Options for handling this dependence:
 - Stall No
 - Bypass No
 - Find something else to do No
 - Change the architecture Sometimes: Alpha, Multiflow
 - Speculate! Most common approach!

Exceptions

- Exceptions create a dependence on the value of the next PC
- Options for handling this dependence:
 - Stall No
 - Bypass No
 - Find something else to do No
 - Change the architecture Sometimes: Alpha, Multiflow
 - Speculate! Most common approach!
- How can we handle rollback on mis-speculation?

Exceptions

- Exceptions create a dependence on the value of the next PC
- Options for handling this dependence:
 - Stall No
 - Bypass No
 - Find something else to do No
 - Change the architecture Sometimes: Alpha, Multiflow
 - Speculate! Most common approach!
- How can we handle rollback on mis-speculation?

Delay state update until commit on speculated instructions

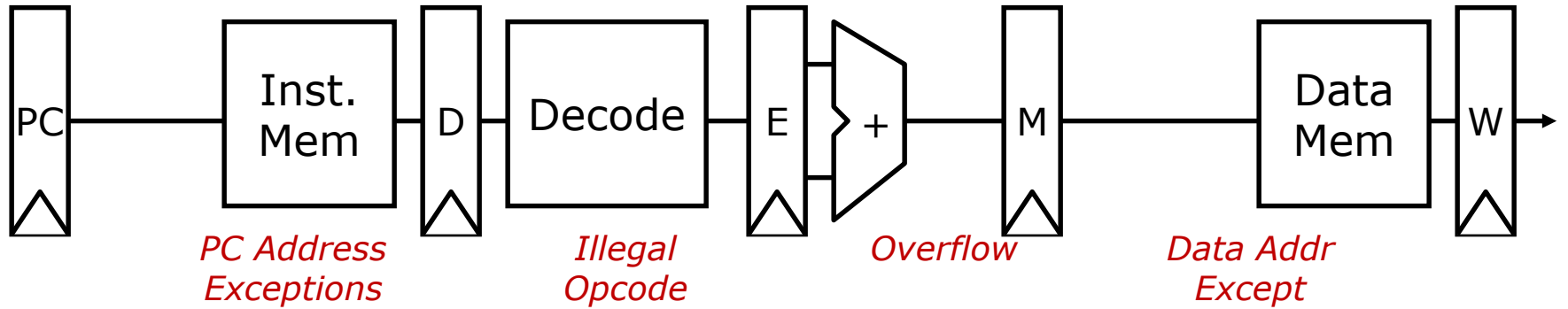
Exceptions

- Exceptions create a dependence on the value of the next PC
- Options for handling this dependence:
 - Stall No
 - Bypass No
 - Find something else to do No
 - Change the architecture Sometimes: Alpha, Multiflow
 - Speculate! Most common approach!
- How can we handle rollback on mis-speculation?

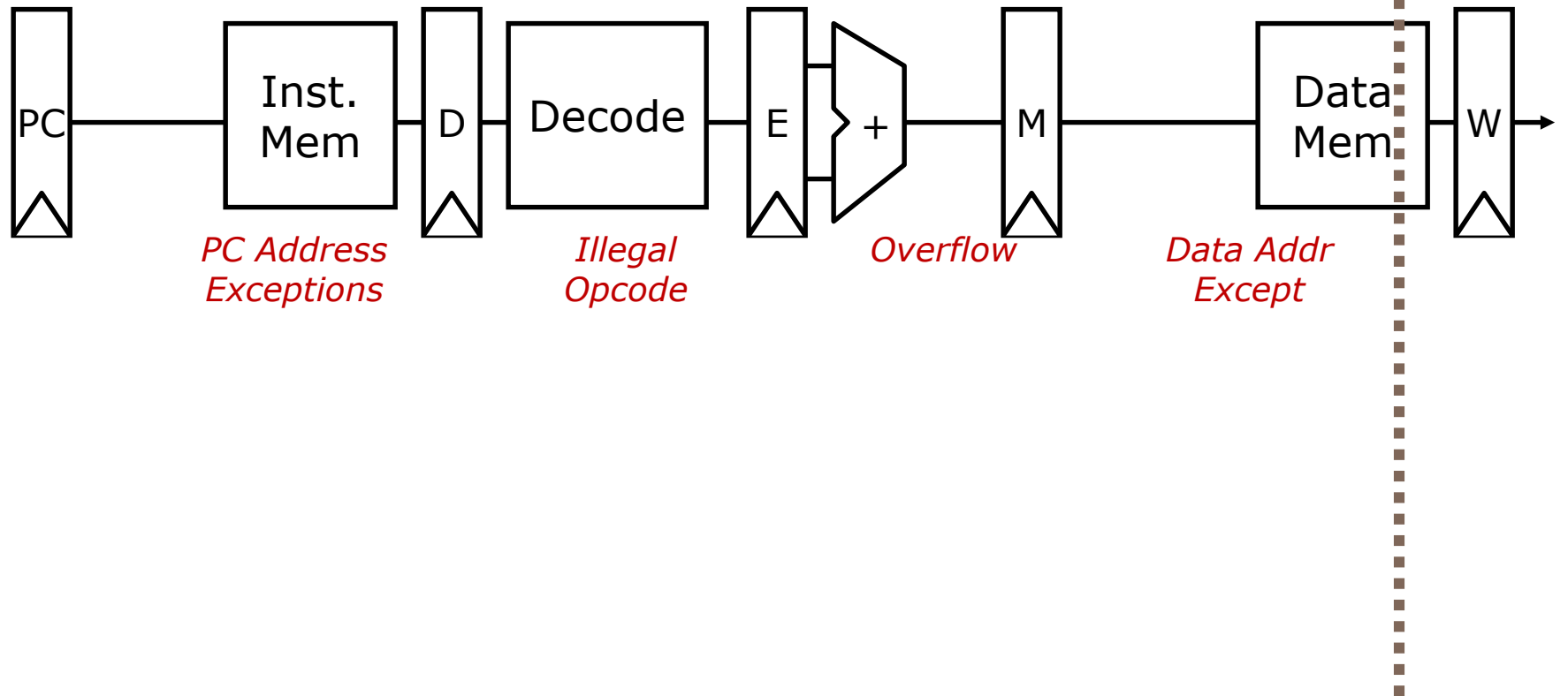
Delay state update until commit on speculated instructions
- Note: earlier exceptions must override later ones

Reminder: Exception Handling

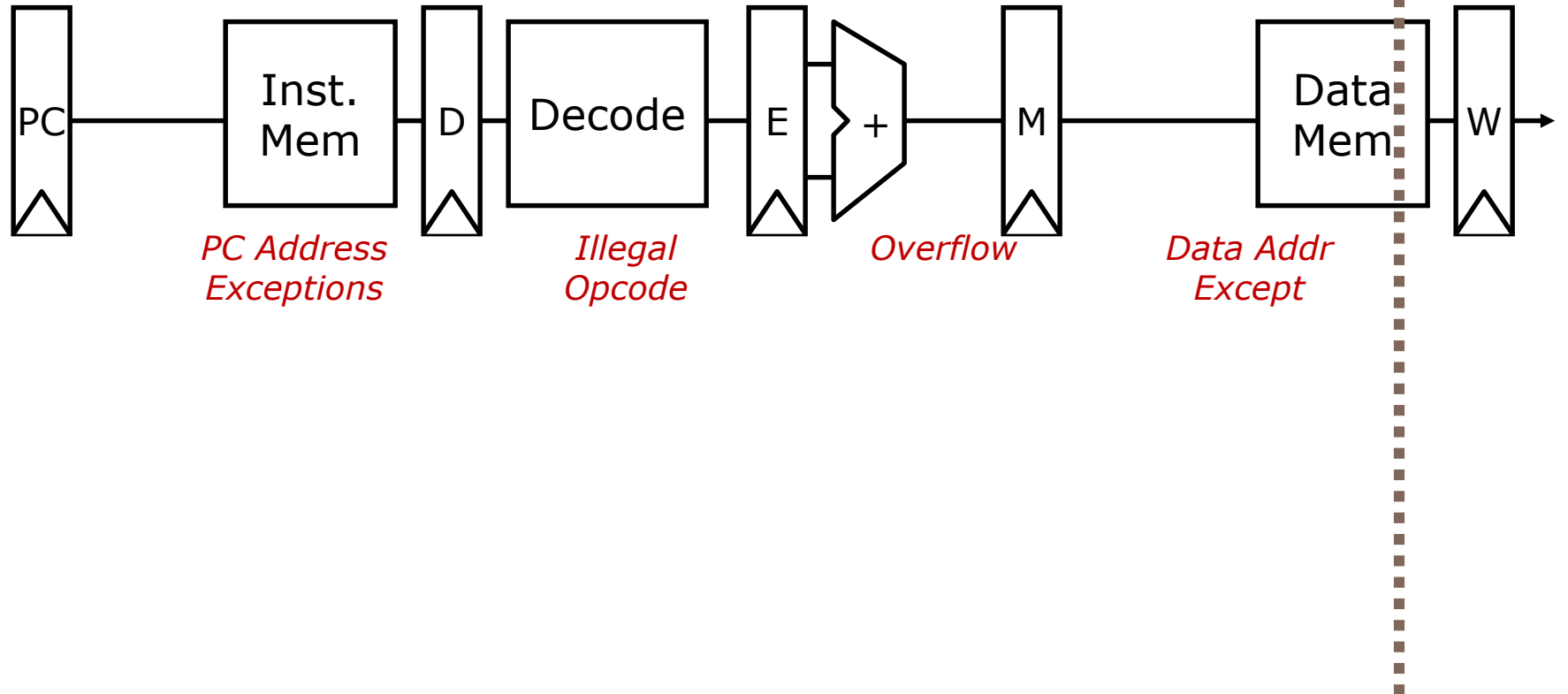
(In-Order Five-Stage Pipeline)



Reminder: Exception Handling (In-Order Five-Stage Pipeline)

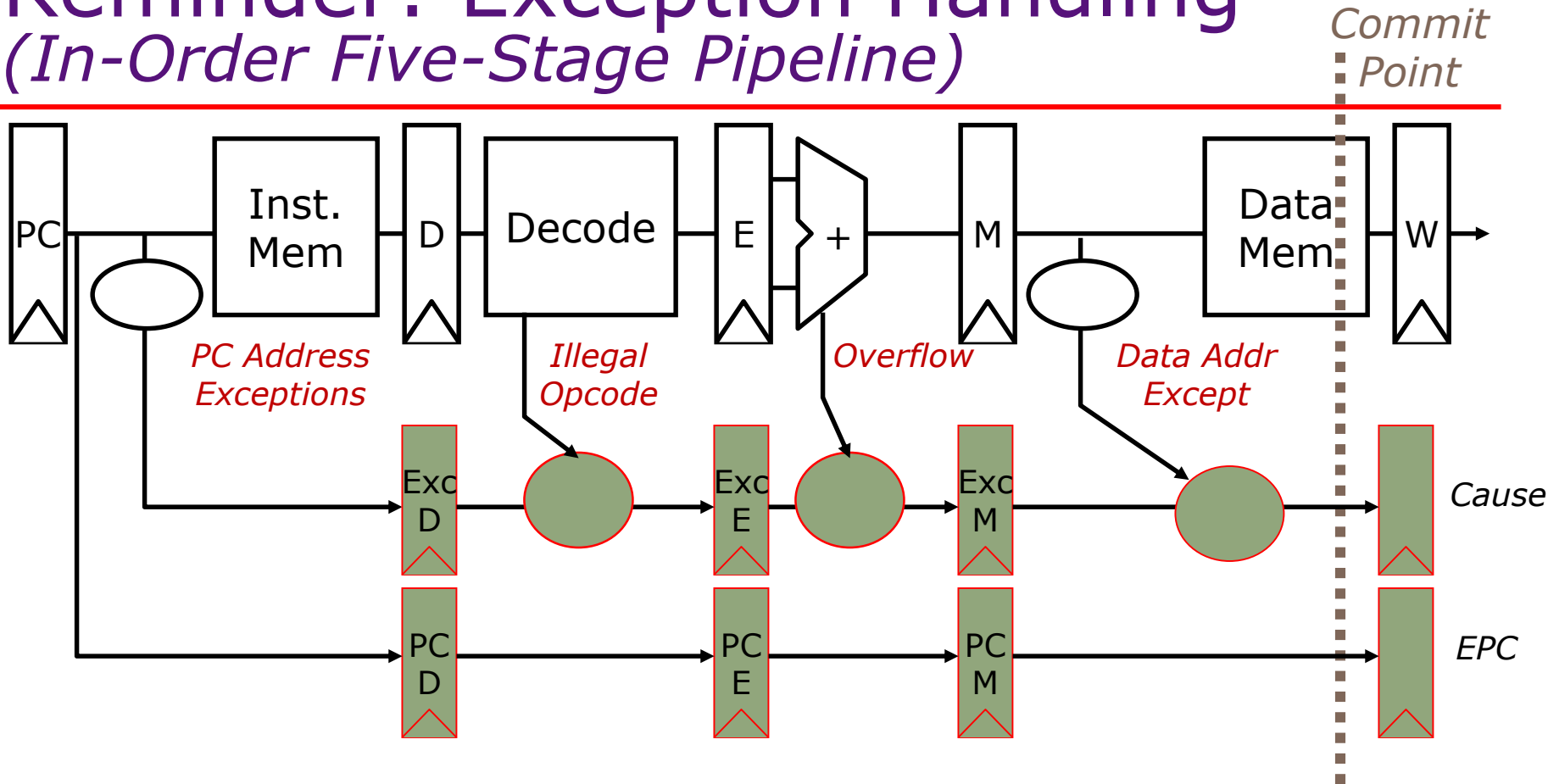


Reminder: Exception Handling (In-Order Five-Stage Pipeline)



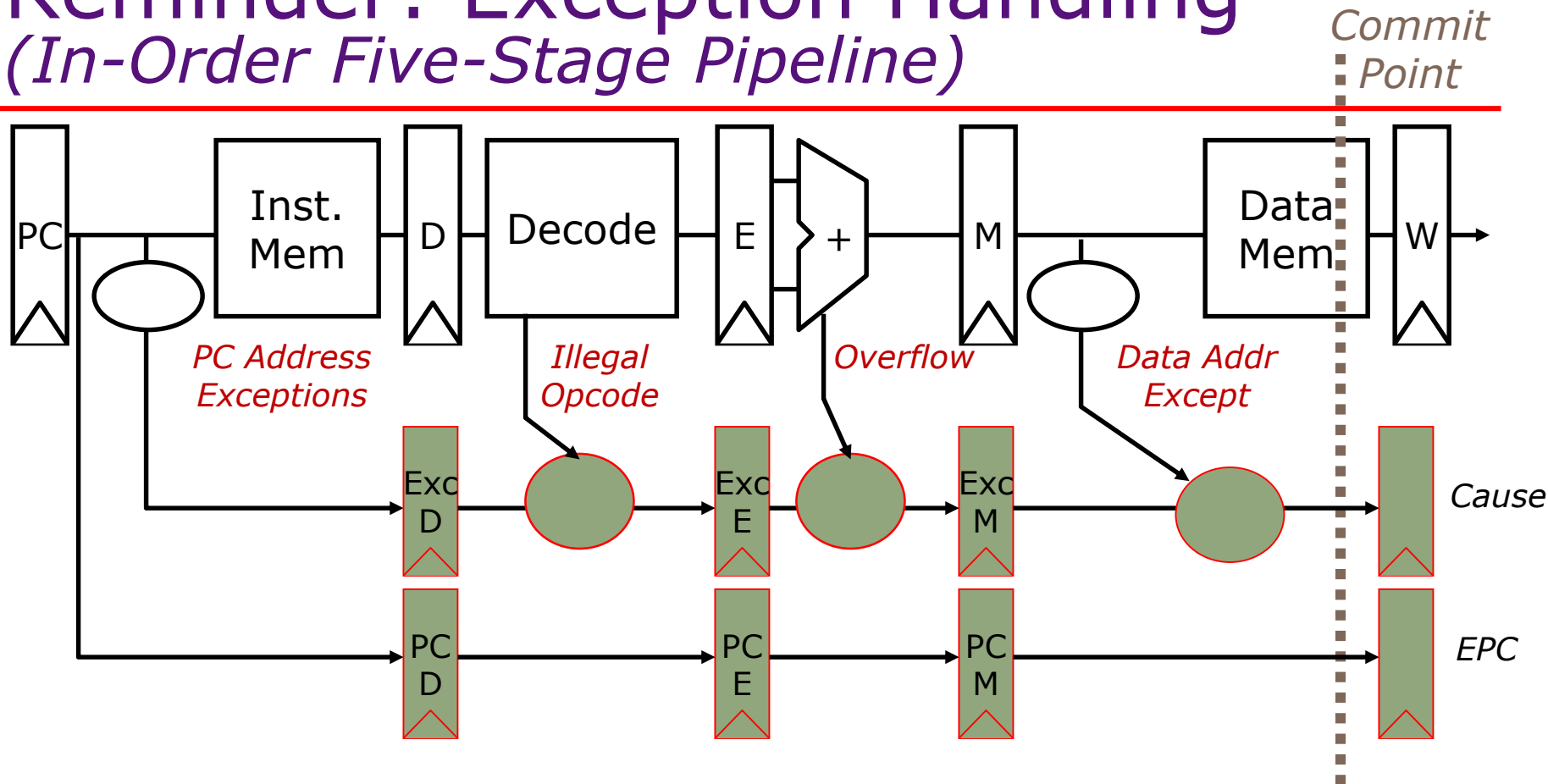
Hold exception flags in pipeline until commit point (M stage)

Reminder: Exception Handling (In-Order Five-Stage Pipeline)



Hold exception flags in pipeline until commit point (M stage)

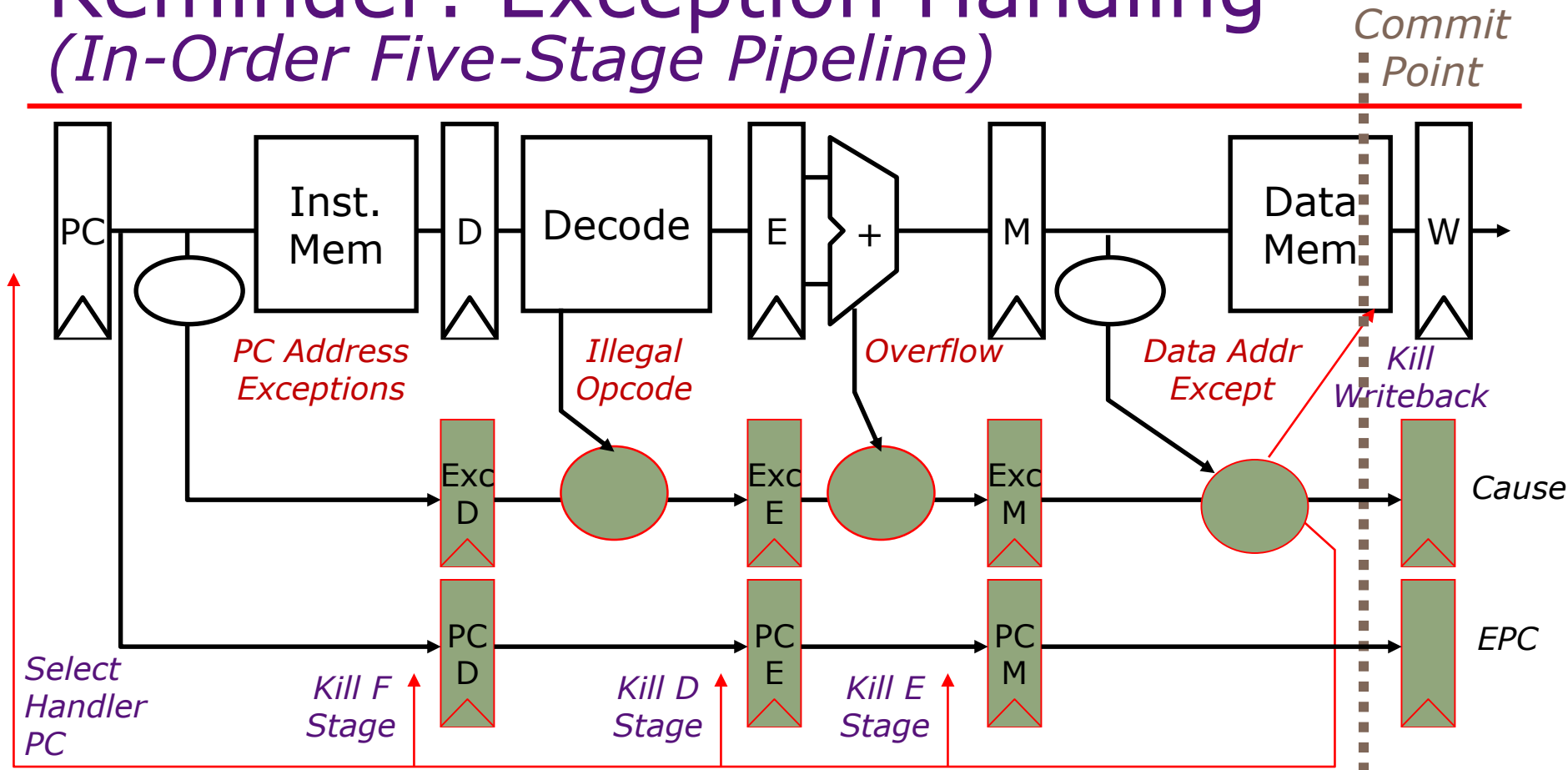
Reminder: Exception Handling (In-Order Five-Stage Pipeline)



Hold exception flags in pipeline until commit point (M stage)

- If exception at commit:
 - update Cause/EPC registers
 - kill all stages
 - fetch at handler PC

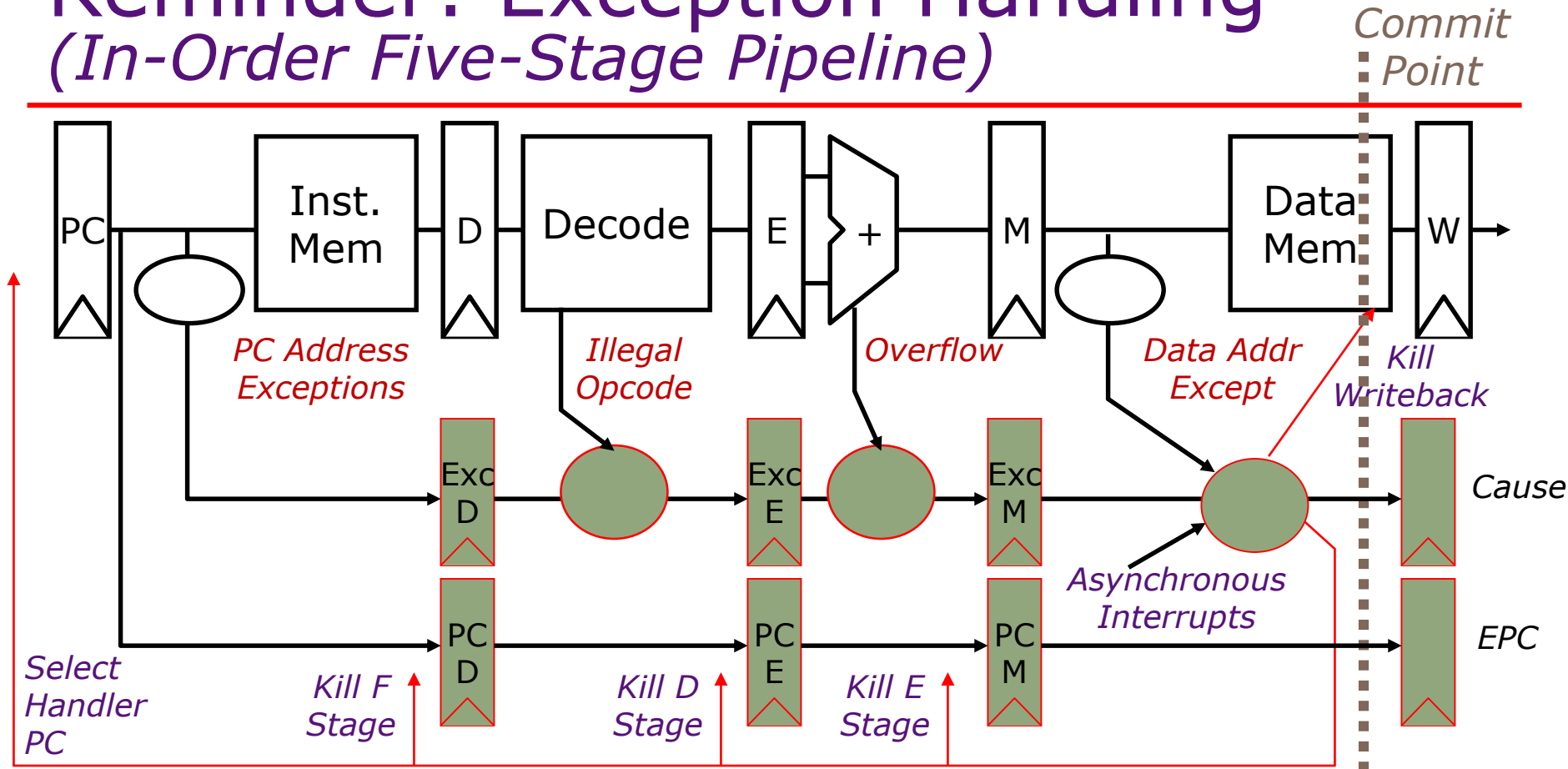
Reminder: Exception Handling (In-Order Five-Stage Pipeline)



Hold exception flags in pipeline until commit point (M stage)

- If exception at commit:
 - update Cause/EPC registers
 - kill all stages
 - fetch at handler PC

Reminder: Exception Handling (In-Order Five-Stage Pipeline)

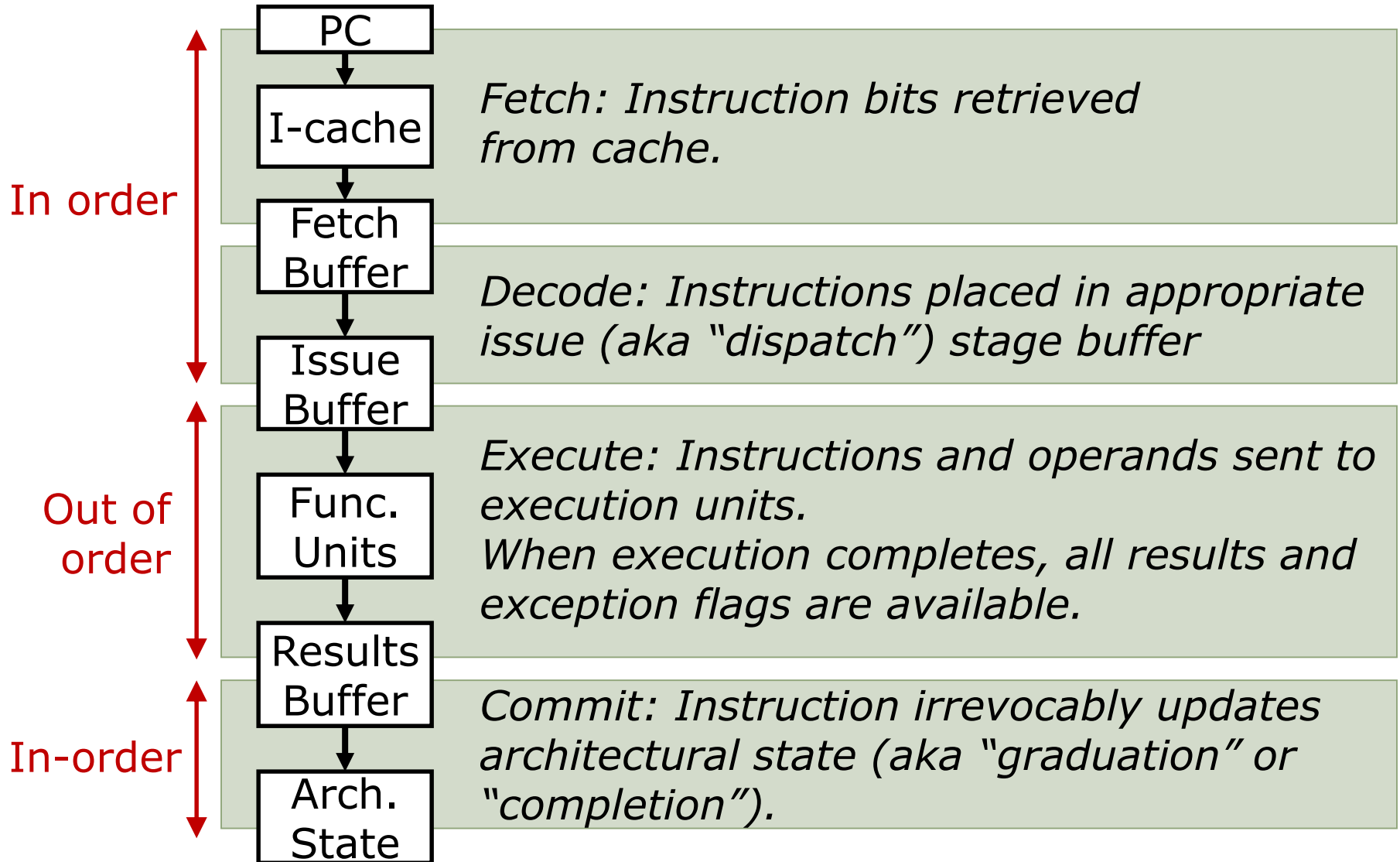


Hold exception flags in pipeline until commit point (M stage)

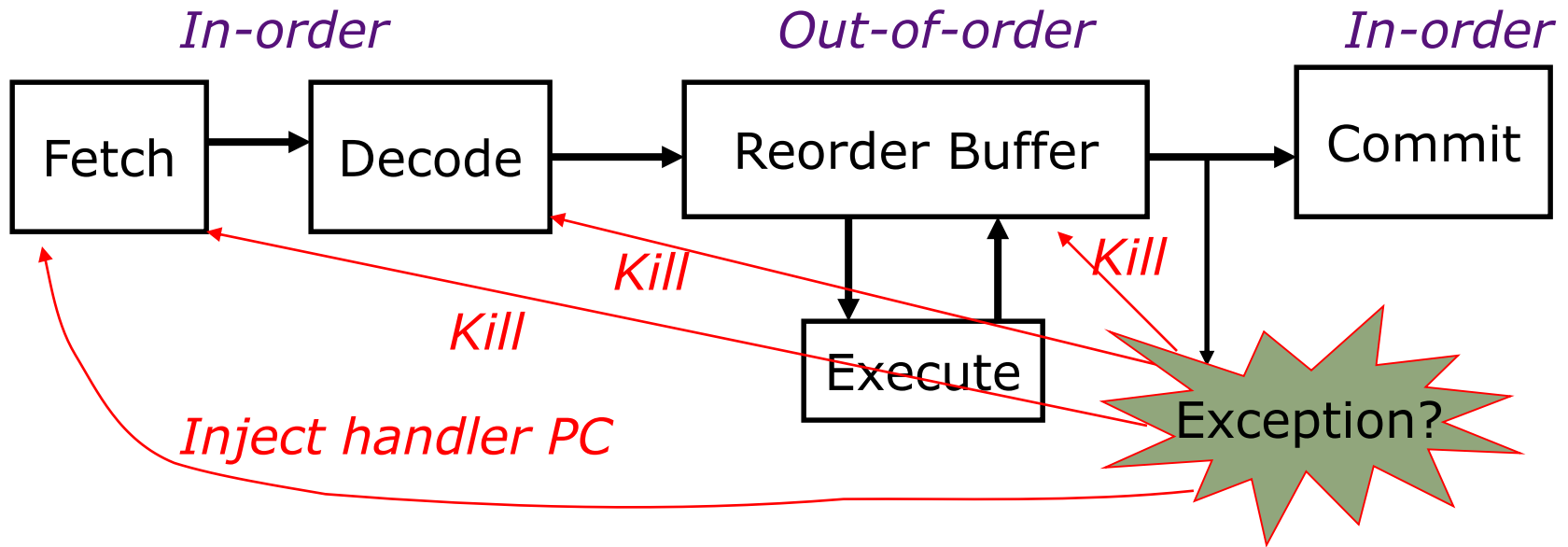
- If exception at commit:
 - update Cause/EPC registers
 - kill all stages
 - fetch at handler PC

Inject external interrupts at commit point

Phases of Instruction Execution



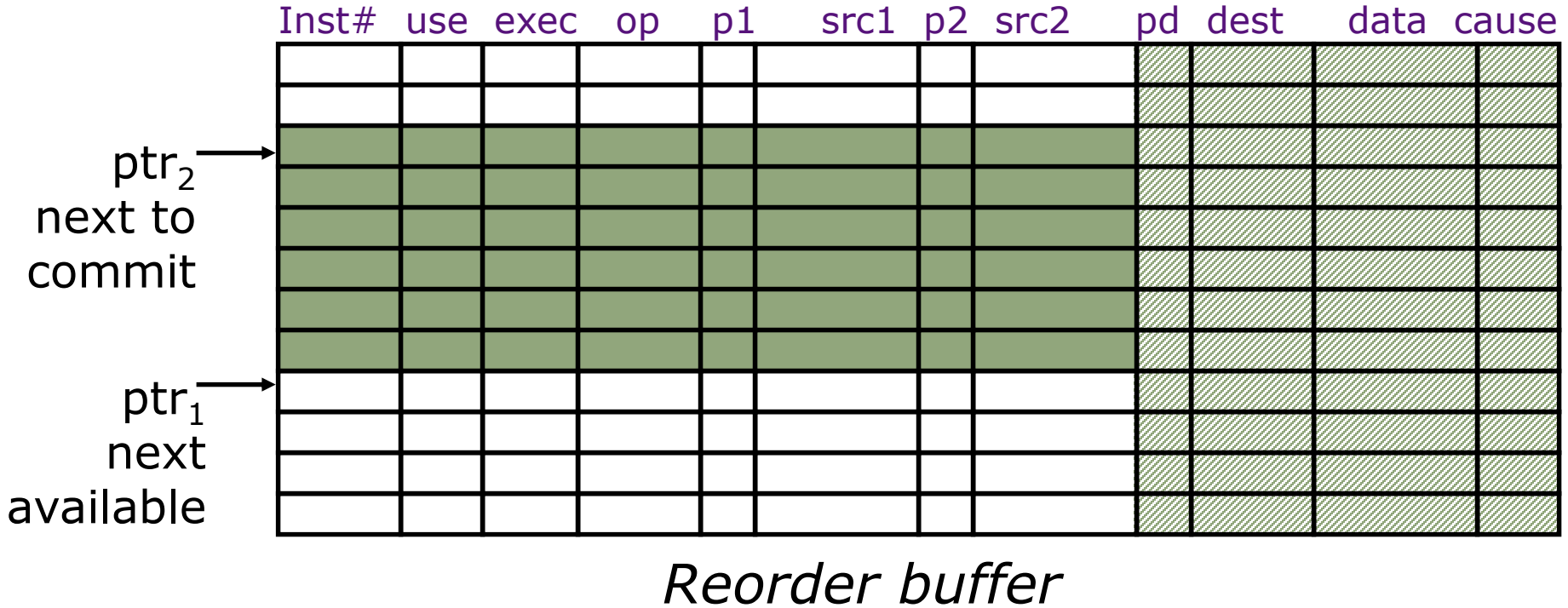
In-Order Commit for Precise Exceptions



- Instructions fetched and decoded into instruction reorder buffer in-order
- Execution is out-of-order (\Rightarrow out-of-order completion)
- *Commit* (write-back to architectural state, i.e., regfile & memory) is in-order

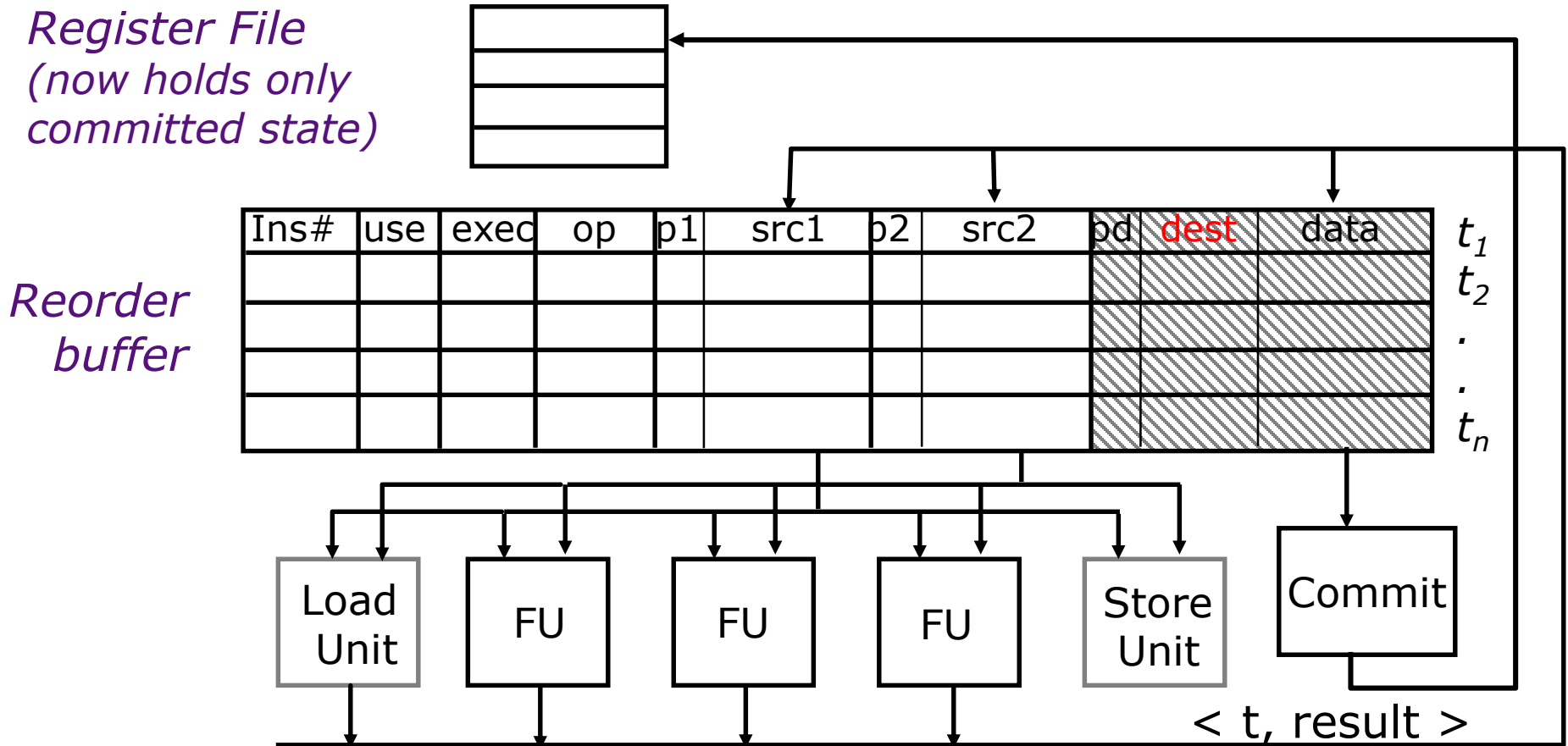
Temporary storage needed to hold results before commit (shadow registers and store buffers)

Extensions for Precise Exceptions



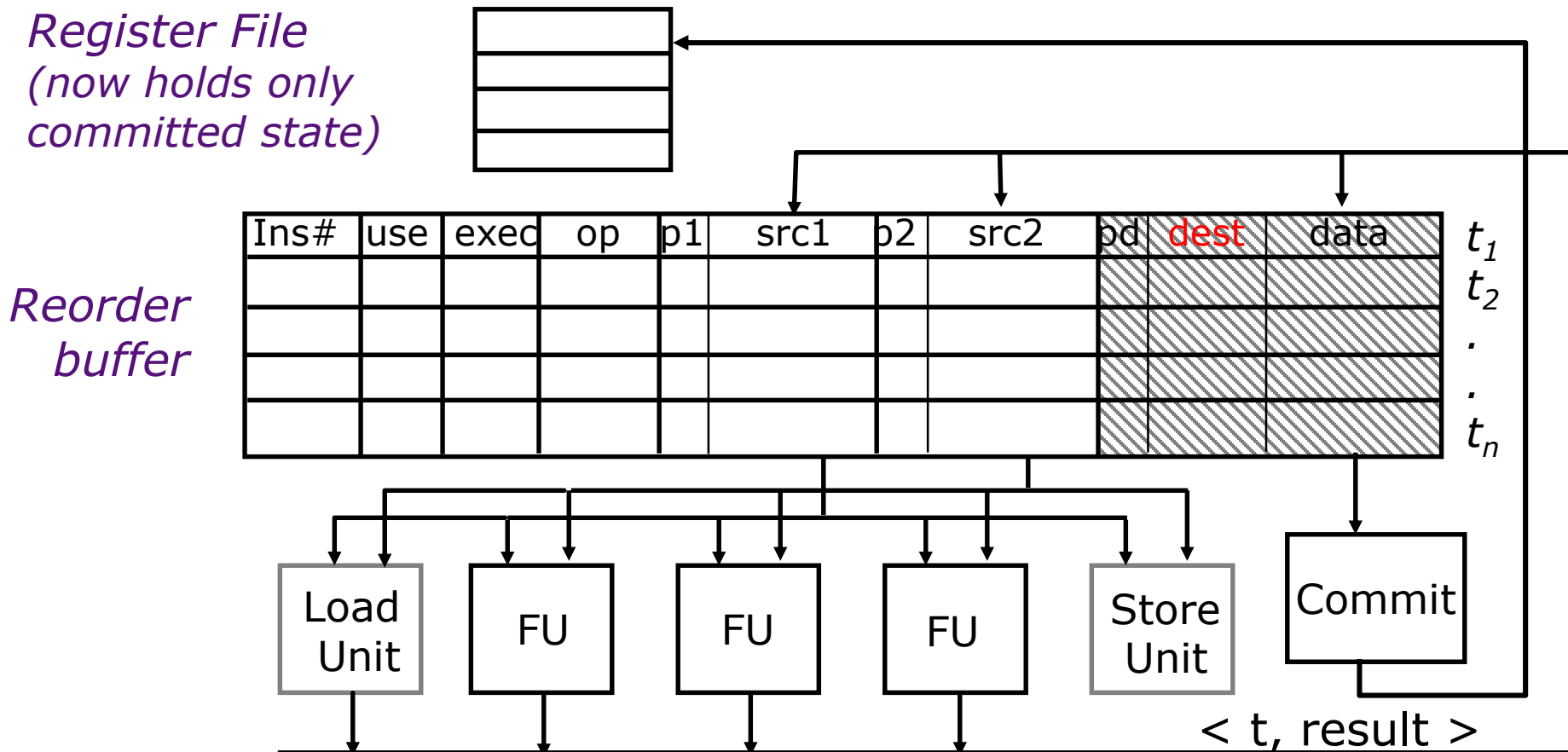
- add $\langle \text{pd}, \text{dest}, \text{data}, \text{cause} \rangle$ fields in the instruction template
- commit instructions to reg file and memory in program order \Rightarrow buffers can be maintained circularly
- on exception, clear reorder buffer by resetting $\text{ptr}_1 = \text{ptr}_2$
(stores must wait for commit before updating memory)

Rollback and Renaming



Register file does not contain renaming tags any more.
How does the decode stage find the tag of a source register?

Rollback and Renaming

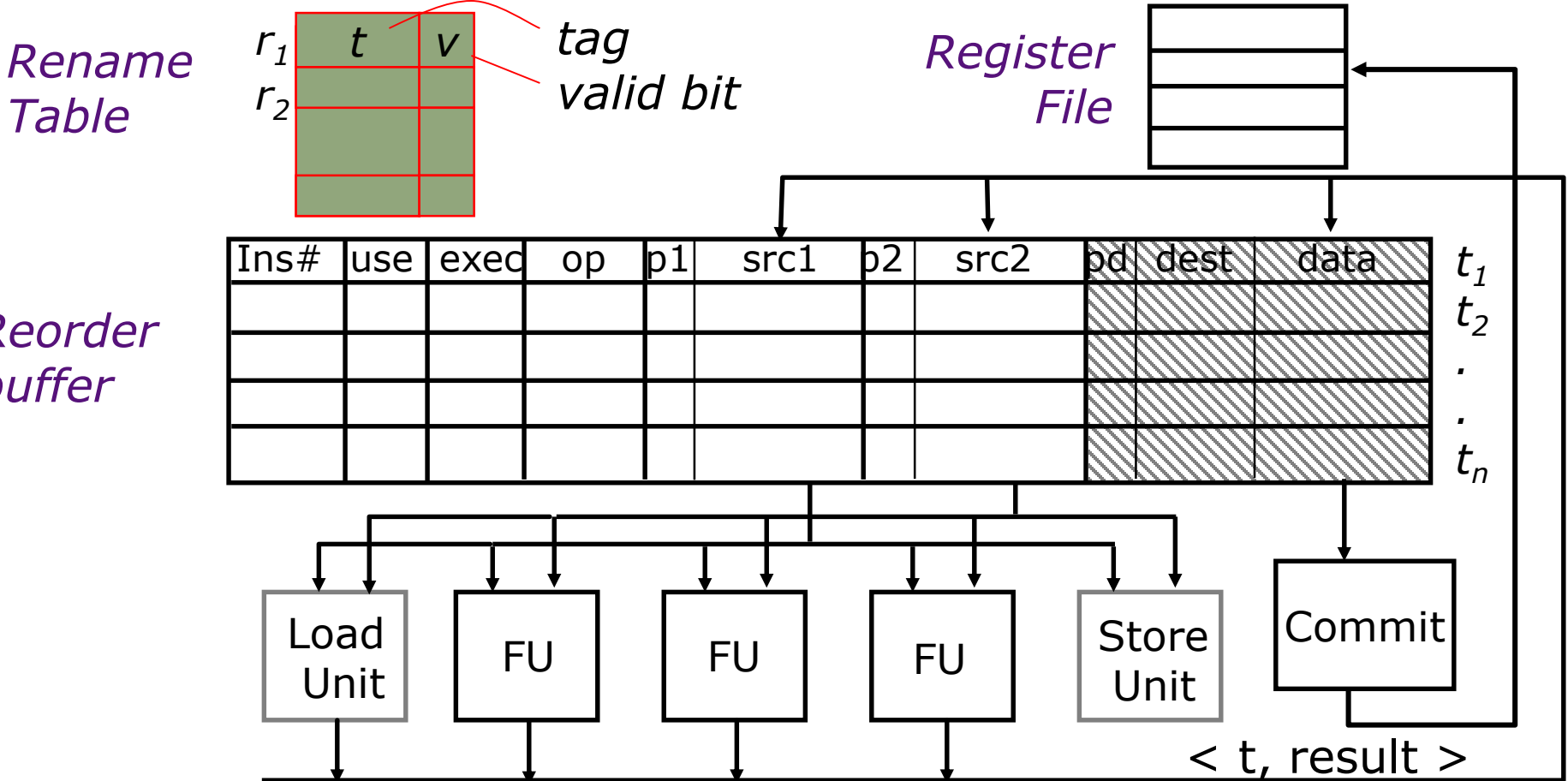


Register file does not contain renaming tags any more.

How does the decode stage find the tag of a source register?

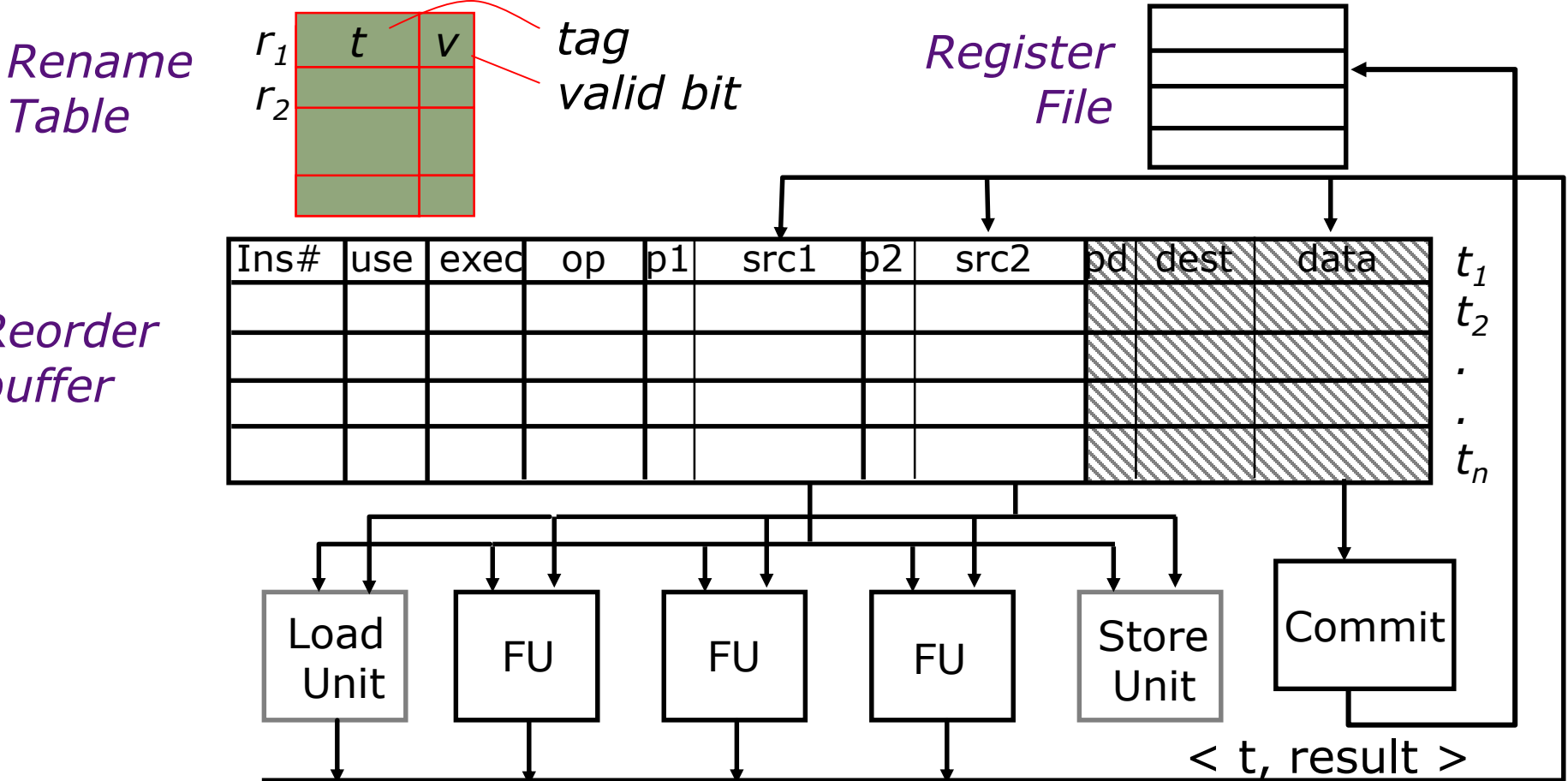
Search the "dest" field in the reorder buffer

Renaming Table



Renaming table is a cache to speed up register name lookup.
 It needs to be cleared after each exception taken.
 When else are valid bits cleared?

Renaming Table



Renaming table is a cache to speed up register name lookup.
 It needs to be cleared after each exception taken.

When else are valid bits cleared?

Control transfers

Physical Register Files

- Reorder buffers are space inefficient – a data value may be stored in multiple places in the reorder buffer
- Idea: Keep all data values in a physical register file
 - Tag represents the name of the data value and name of the physical register that holds it
 - Reorder buffer contains only tags

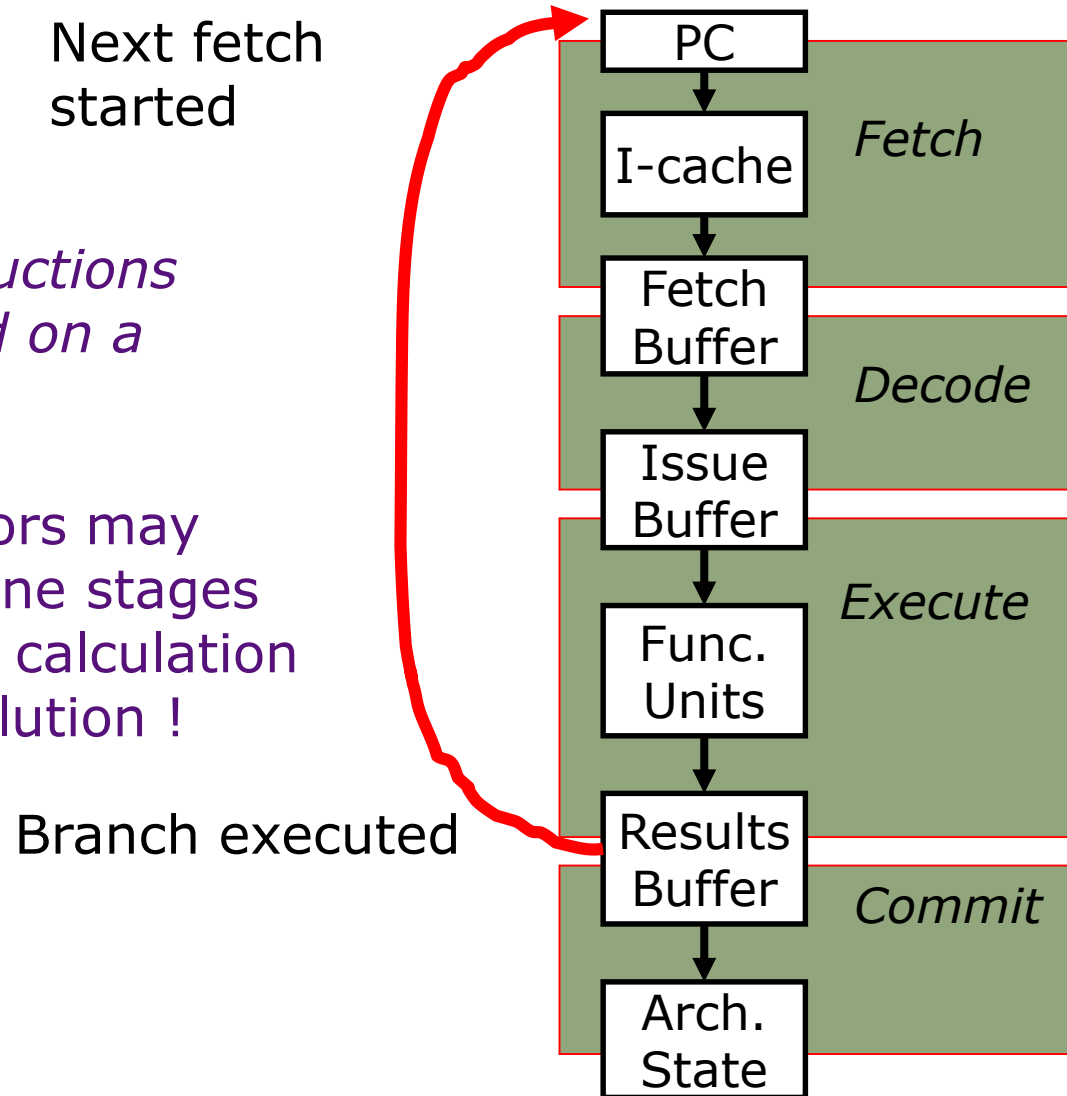
Thus, 64-bit data values may be replaced by 8-bit tags for a 256-element physical register file

More on this in later lectures ...

Branch Penalty

How many instructions need to be killed on a misprediction?

Modern processors may have > 10 pipeline stages between nextPC calculation and branch resolution !



Branch Penalty

How many instructions need to be killed on a misprediction?

Modern processors may have > 10 pipeline stages between nextPC calculation and branch resolution !

Next lecture:
Branch prediction &
Speculative execution

