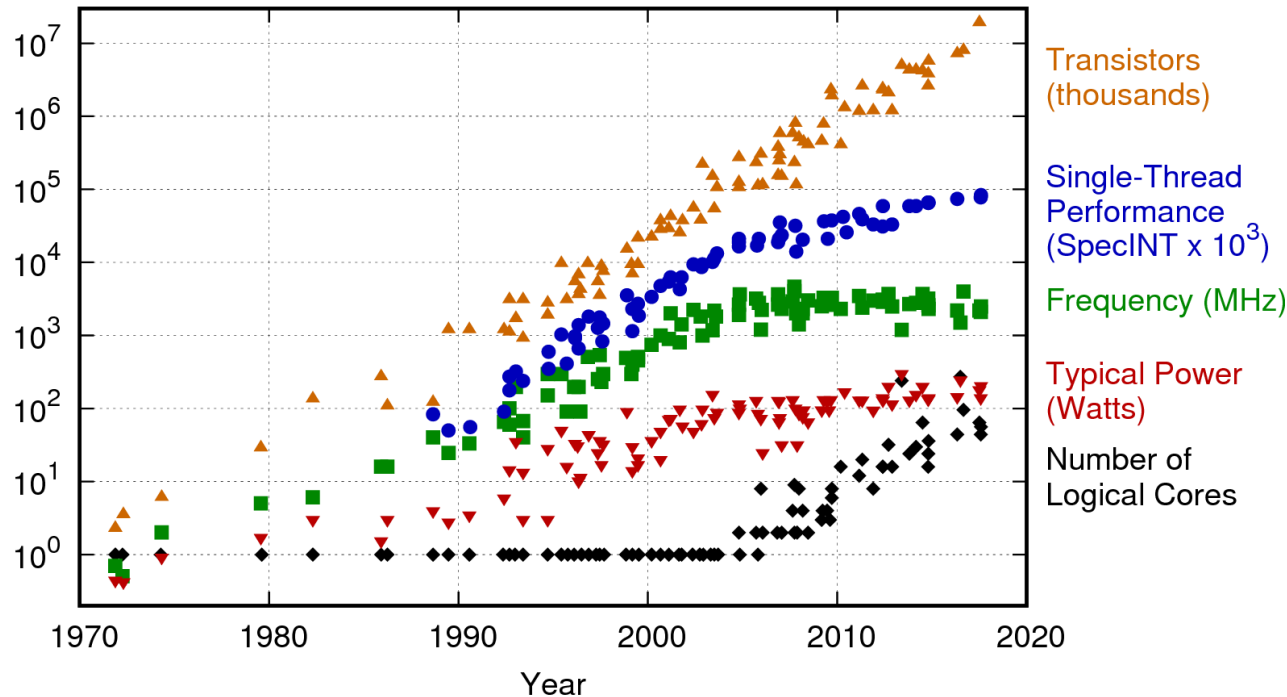


# Cache Coherence

*Daniel Sanchez*

Computer Science & Artificial Intelligence Lab  
M.I.T.

# The Shift to Multicore



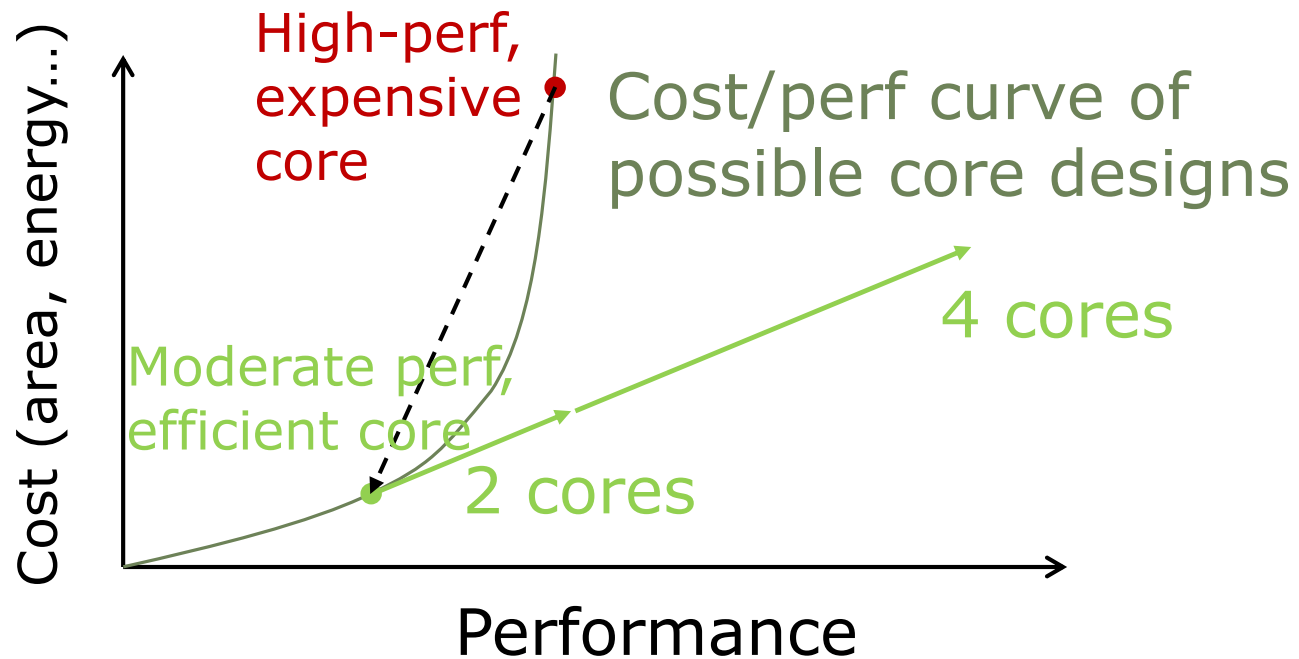
Original data up to the year 2010 collected and plotted by M. Horowitz, F. Labonte, O. Shacham, K. Olukotun, L. Hammond, and C. Batten

New plot and data collected for 2010-2017 by K. Rupp [<https://www.karlsruhp.net/2018/02/42-years-of-microprocessor-trend-data/>]

- Since 2005, improvements in system performance mainly due to increasing cores per chip
- Why?

# Multicore Performance

---



*What factors may limit multicore performance?*

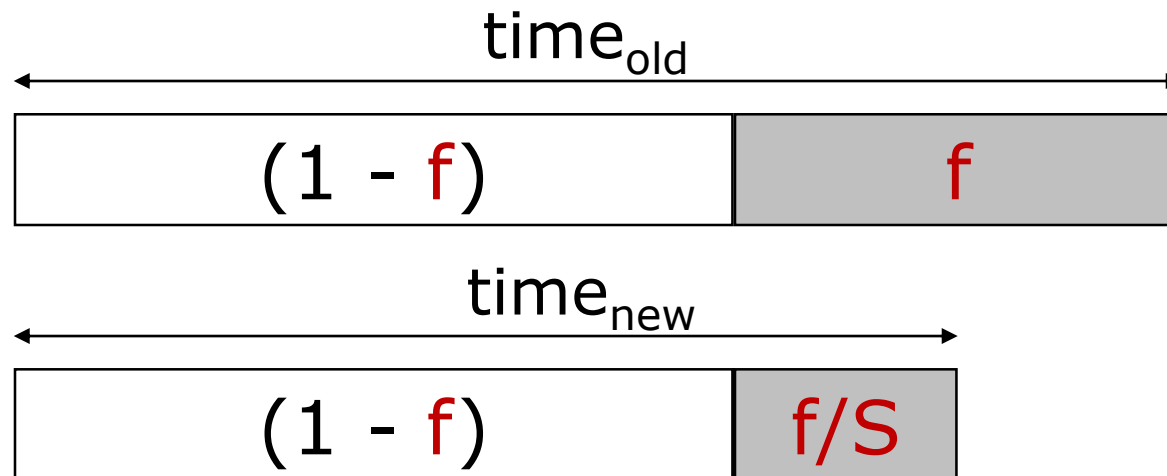
# Amdahl's Law

---

- Speedup =  $\text{time}_{\text{without enhancement}} / \text{time}_{\text{with enhancement}}$
- Suppose an enhancement speeds up a fraction  $f$  of a task by a factor of  $S$

$$\text{time}_{\text{new}} = \text{time}_{\text{old}} \cdot ( (1-f) + f/S )$$

$$S_{\text{overall}} = 1 / ( (1-f) + f/S )$$



**Corollary: Make the common case fast**

# Amdahl's Law and Parallelism

---

- Say you write a program that can do 90% of the work in parallel, but the other 10% is sequential
- What is the maximum speedup you can get by running on a multicore machine?

$$S_{\text{overall}} = 1 / ( (1-f) + f/S )$$

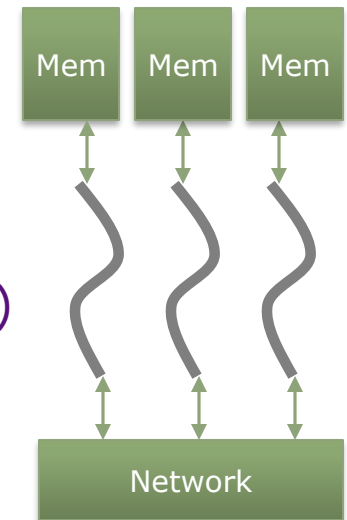
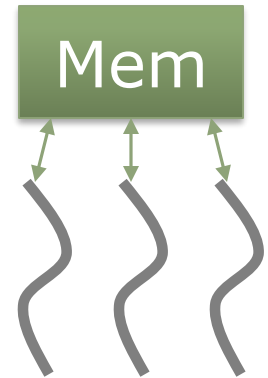
$$f = 0.9, S = \infty \rightarrow S_{\text{overall}} = 10$$

What  $f$  do you need to use a 1000-core machine well?

# Communication Models

---

- Shared memory:
  - Single address space
  - Implicit communication by reading/writing memory
    - Data
    - Control (semaphores, locks, barriers, ...)
  - Low-level programming model: threads
- Message passing:
  - Separate address spaces
  - Explicit communication by send/rcv messages
    - Data
    - Control (blocking msgs, barriers, ...)
  - Low-level programming model: processes + inter-process communication (e.g., MPI)
- Pros/cons of each model?



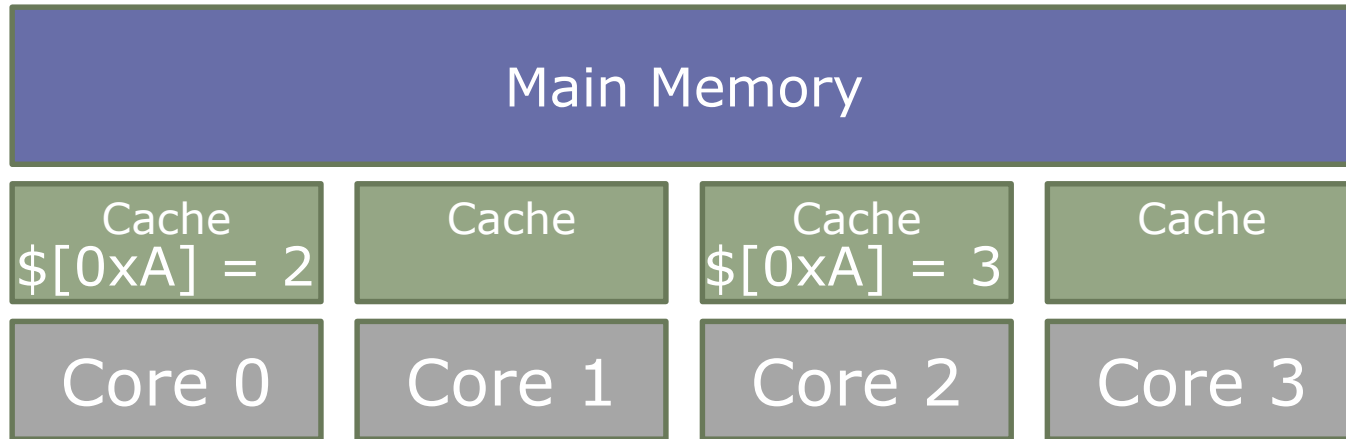
# Coherence & Consistency

---

- Shared memory systems:
  - Have **multiple private caches** for performance reasons
  - Need to provide the illusion of a single shared memory
- Intuition: A read should return the most recently written value
  - What is “most recent”?
- Formally:
  - Coherence: What values can a read return?
    - Concerns reads/writes to a single memory location
  - Consistency: When do writes become visible to reads?
    - Concerns reads/writes to multiple memory locations

# Cache Coherence Avoids Stale Data

---



① LD 0xA → 2

② ST 3 → 0xA

③ LD 0xA → 2 (stale!)

- A **cache coherence protocol** controls cache contents to avoid stale cache lines



# Implementing Cache Coherence

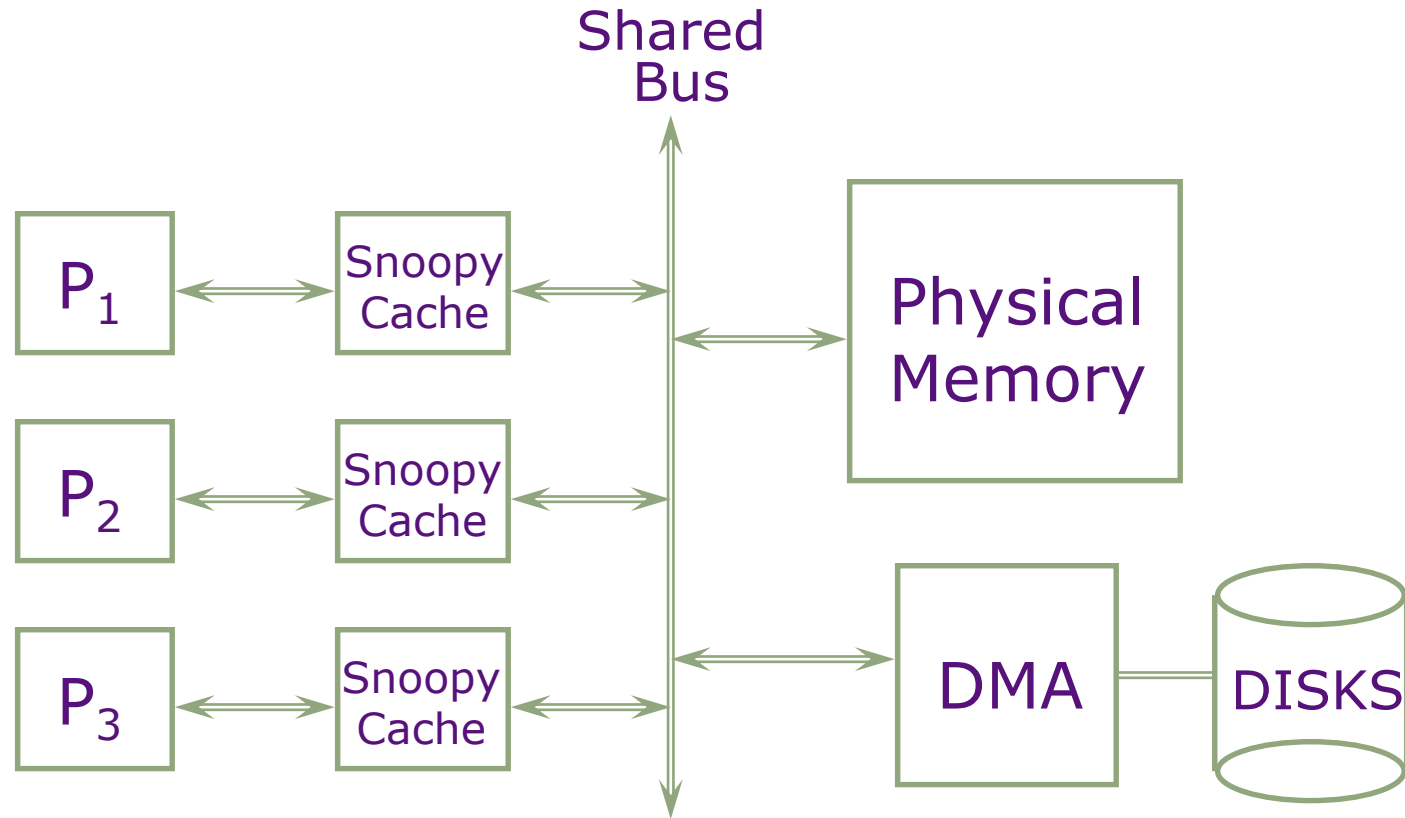
---

- Coherence protocols must enforce two rules:
  - *Write propagation*: Writes eventually become visible to all processors
  - *Write serialization*: Writes to the same location are serialized (all processors see them in the same order)
- How to ensure write propagation?
  - *Write-invalidate protocols*: Invalidate all other cached copies before performing the write
  - *Write-update protocols*: Update all other cached copies after performing the write
- How to track sharing state of cached data and serialize requests to the same address?
  - *Snooping-based protocols*: All caches observe each other's actions through a shared bus (bus is the serialization point)
  - *Directory-based protocols*: A coherence directory tracks contents of private caches and serializes requests (directory is the serialization point)

# Snooping-Based Coherence

(Goodman, 1983)

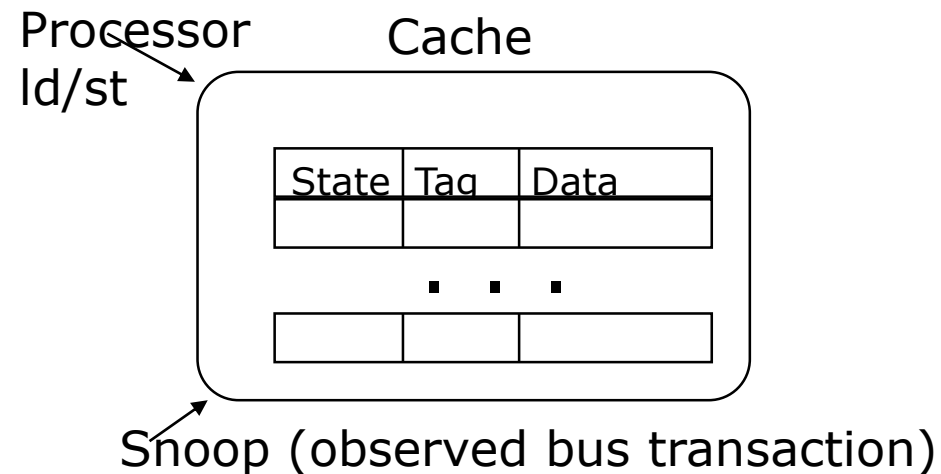
---



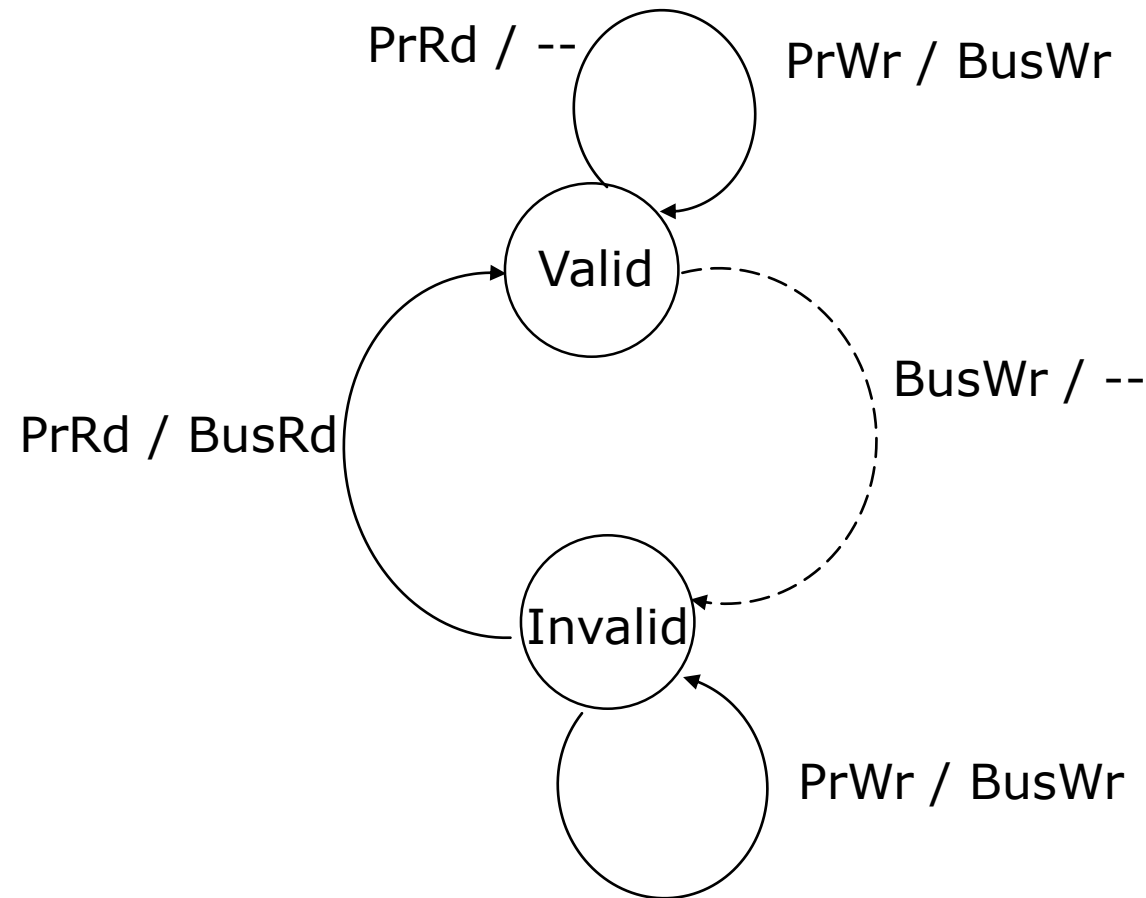
Caches watch (snoop on) bus to keep all processors' view of memory coherent

# Snooping-Based Coherence

- Bus provides serialization point
  - Broadcast, totally **ordered**
- Controller
  - One cache controller for each core “snoops” all bus transactions
  - Controller
    - Responds to requests from core and the bus
    - changes state of the selected cache block
    - generates bus transactions to access data or invalidate
- Snoopy protocol (FSM)
  - State-transition diagram
  - Actions
- Handling writes:
  - Write-invalidate
  - Write-update



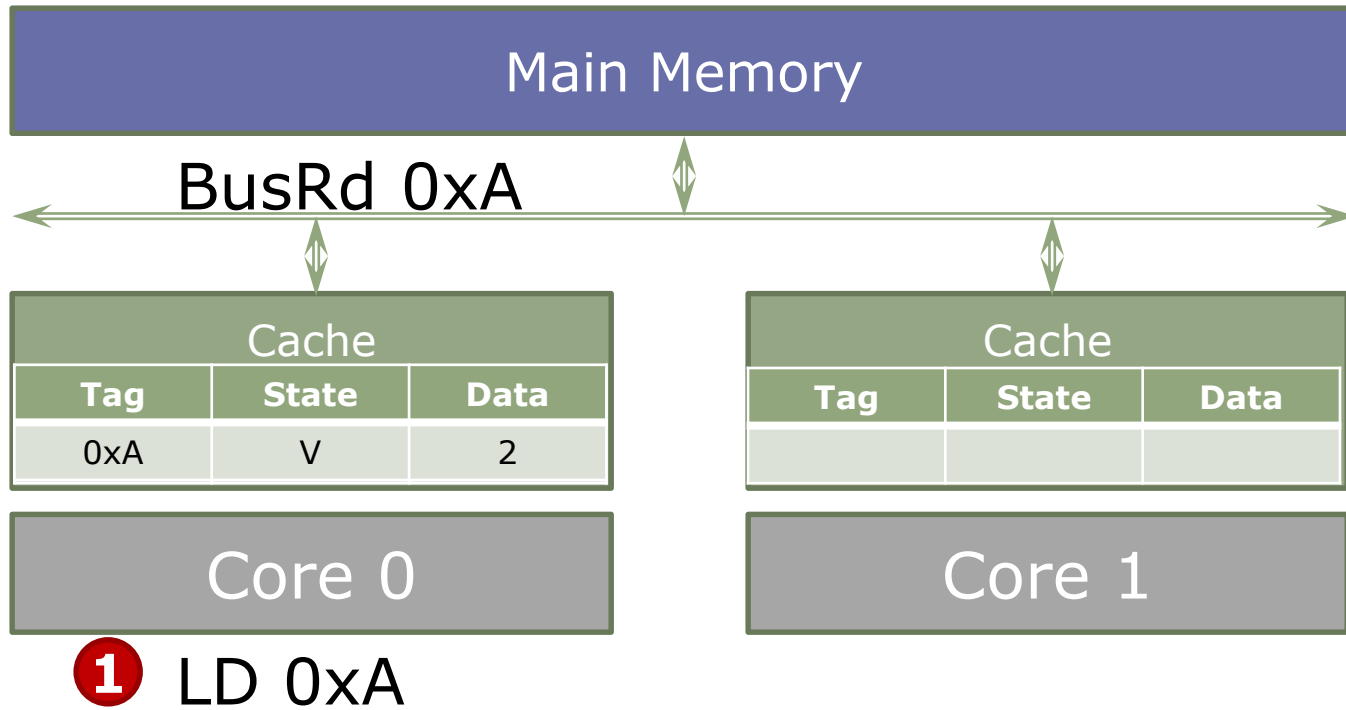
# A Simple Protocol: Valid/Invalid (VI)



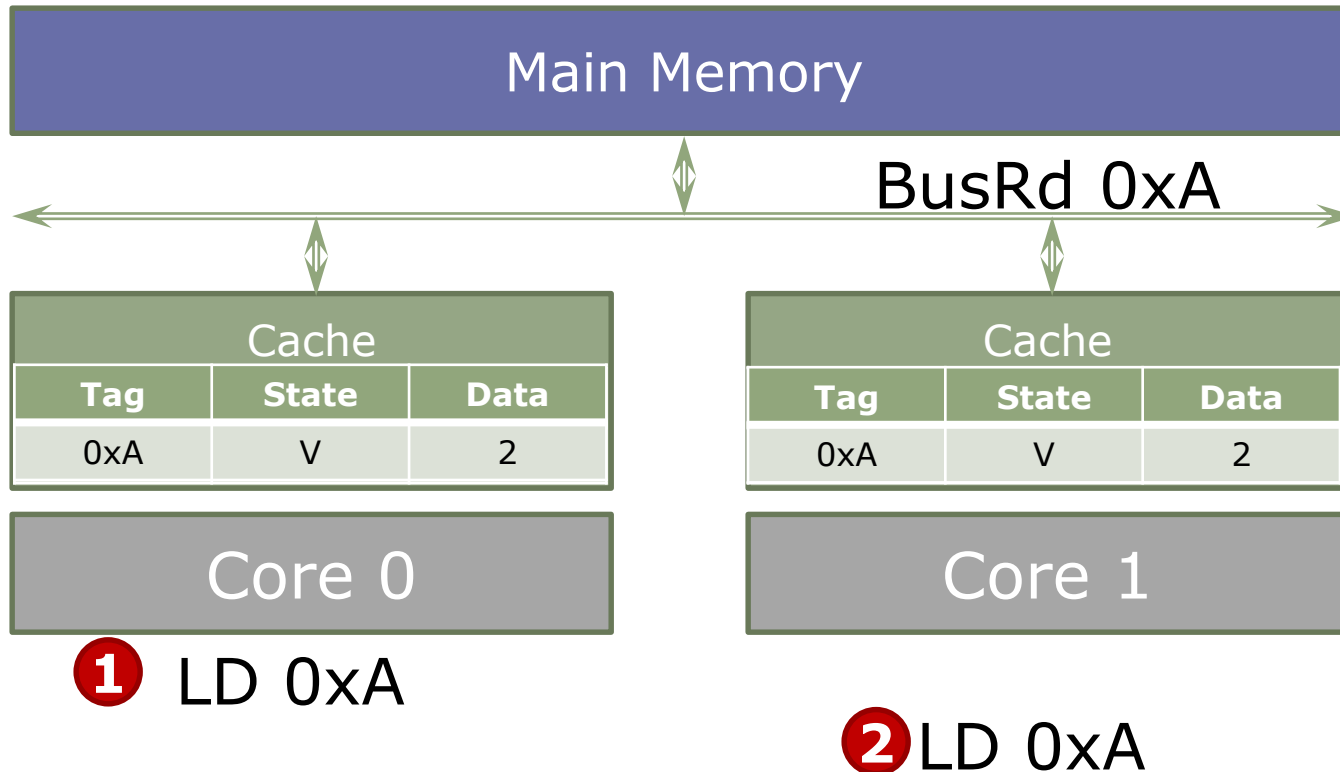
- Assume write-through caches
- Transition nomenclature:  
*triggering action / taken action(s)*

Actions
Processor Read (PrRd)
Processor Write (PrWr)
Bus Read (BusRd)
Bus Write (BusWr)

# Valid/Invalid Example

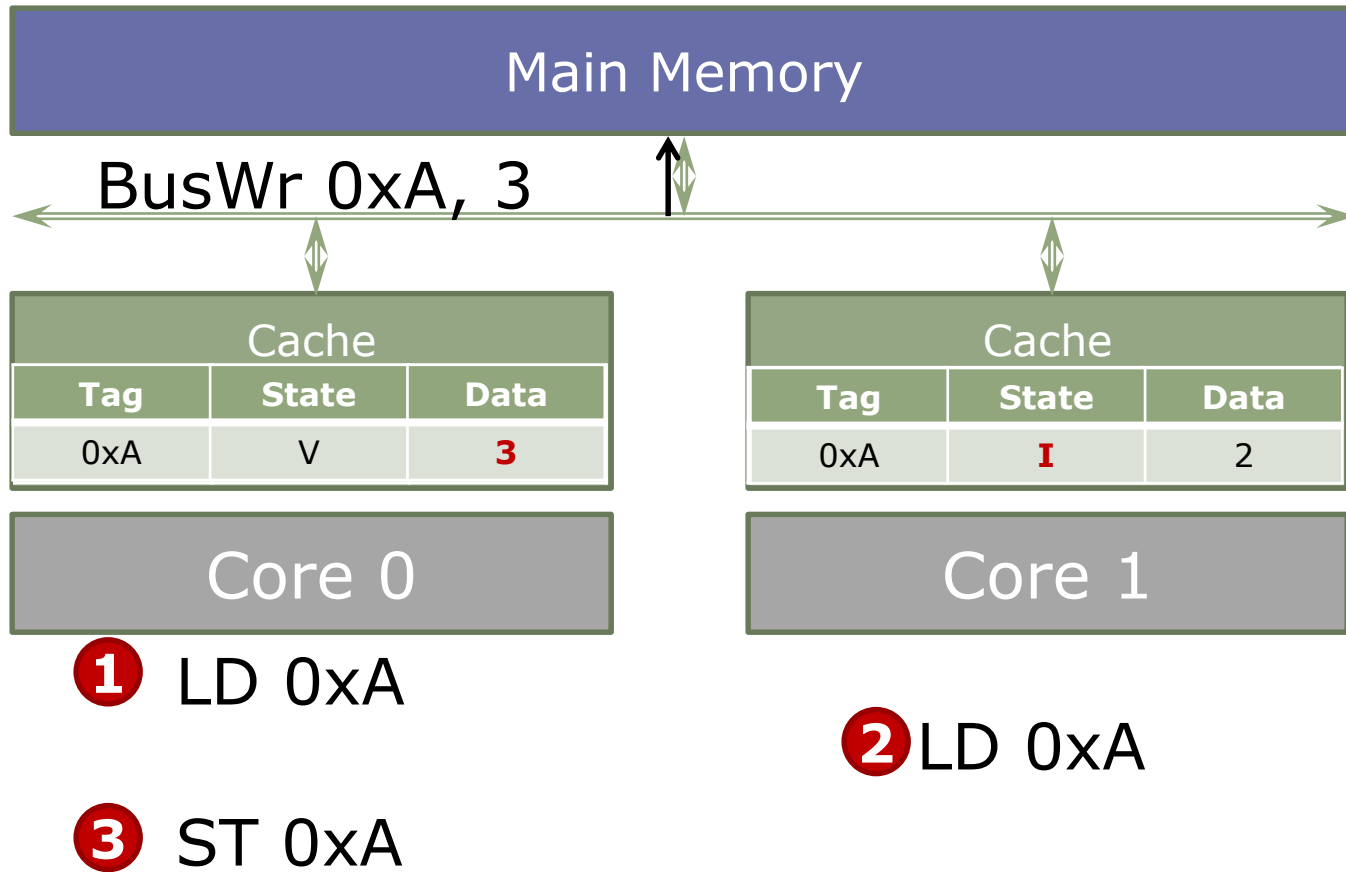


# Valid/Invalid Example

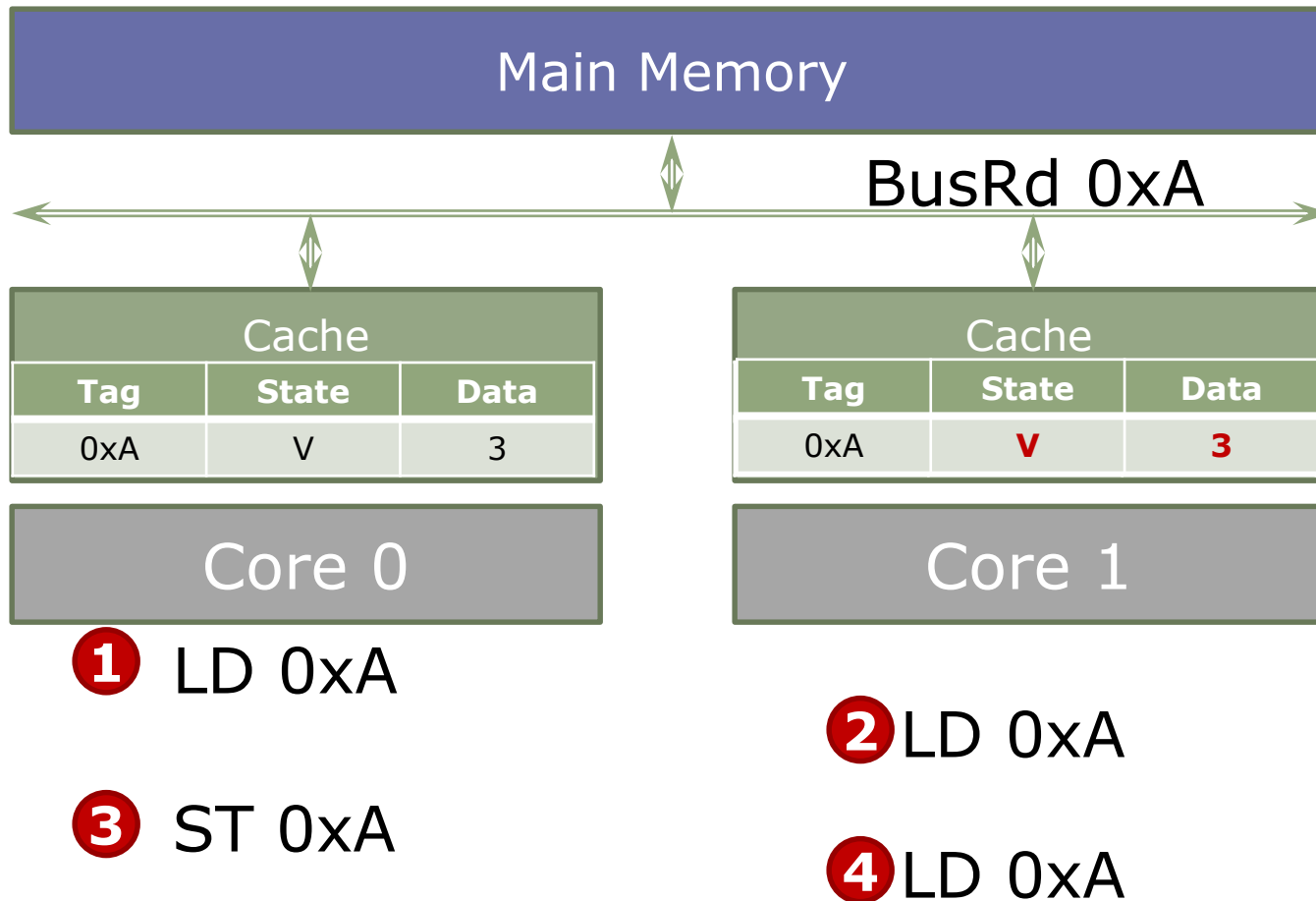


Additional loads satisfied locally, without BusRd

# Valid/Invalid Example



# Valid/Invalid Example

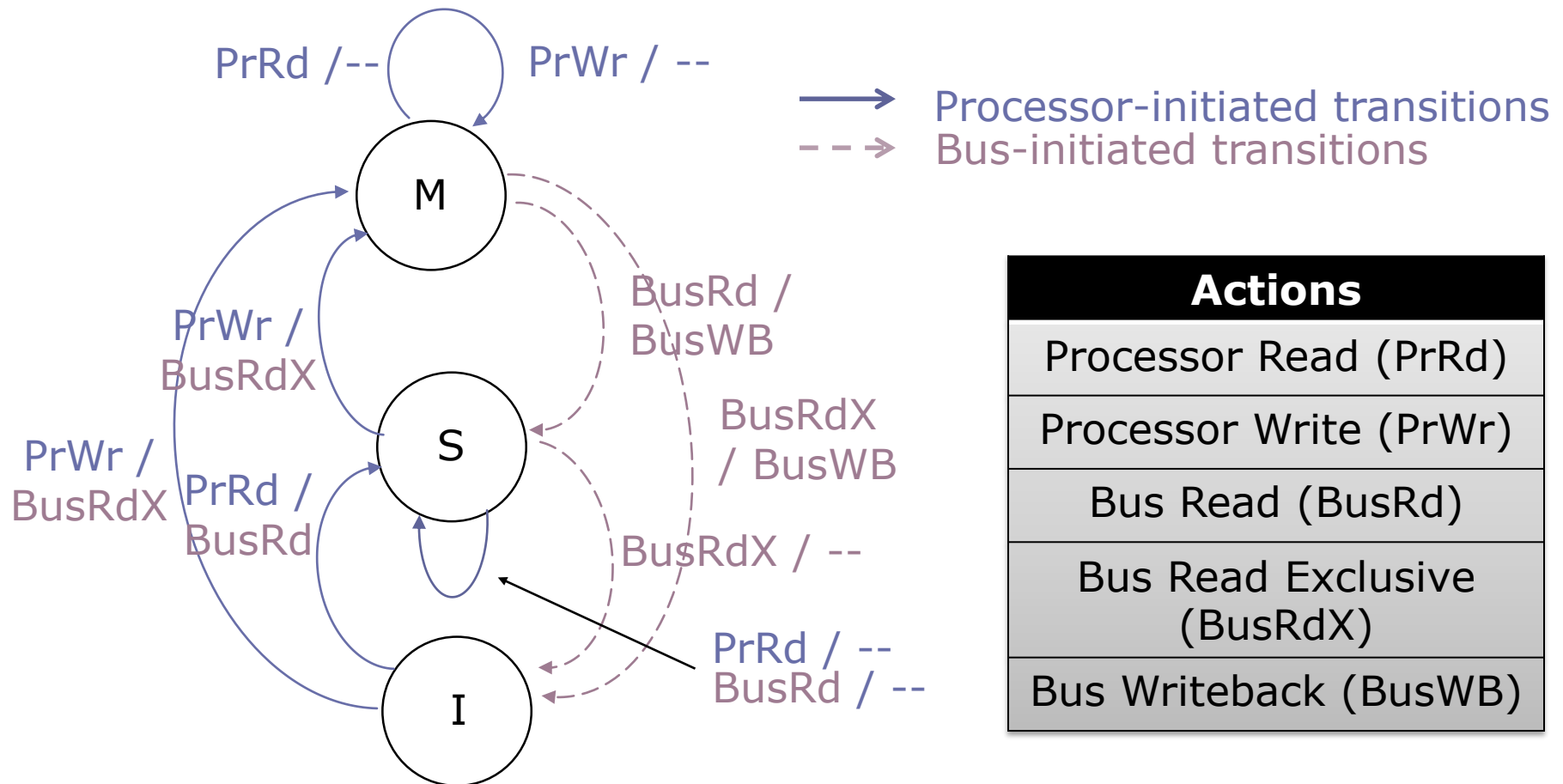


VI Problems?



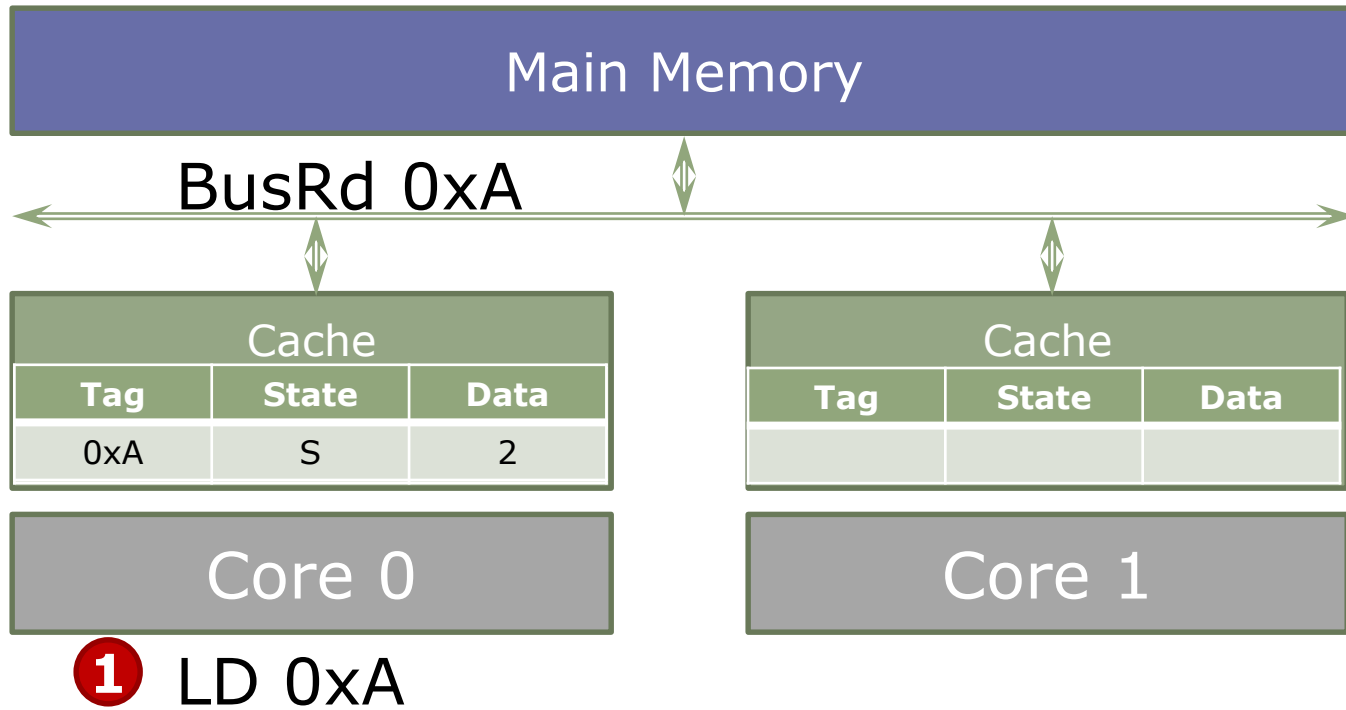
# Modified/Shared/Invalid (MSI) Protocol

- Allows writeback caches + satisfying writes locally

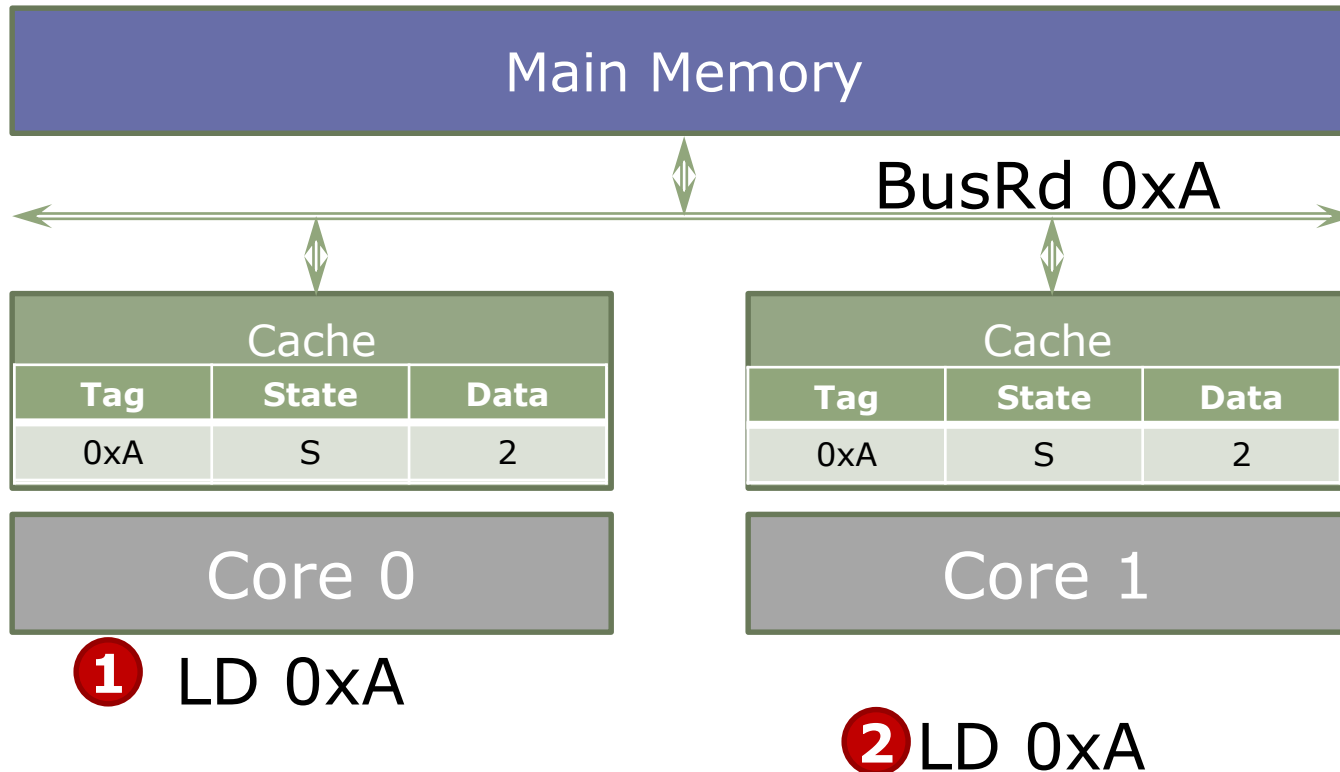


Actions
Processor Read (PrRd)
Processor Write (PrWr)
Bus Read (BusRd)
Bus Read Exclusive (BusRdX)
Bus Writeback (BusWB)

# MSI Example

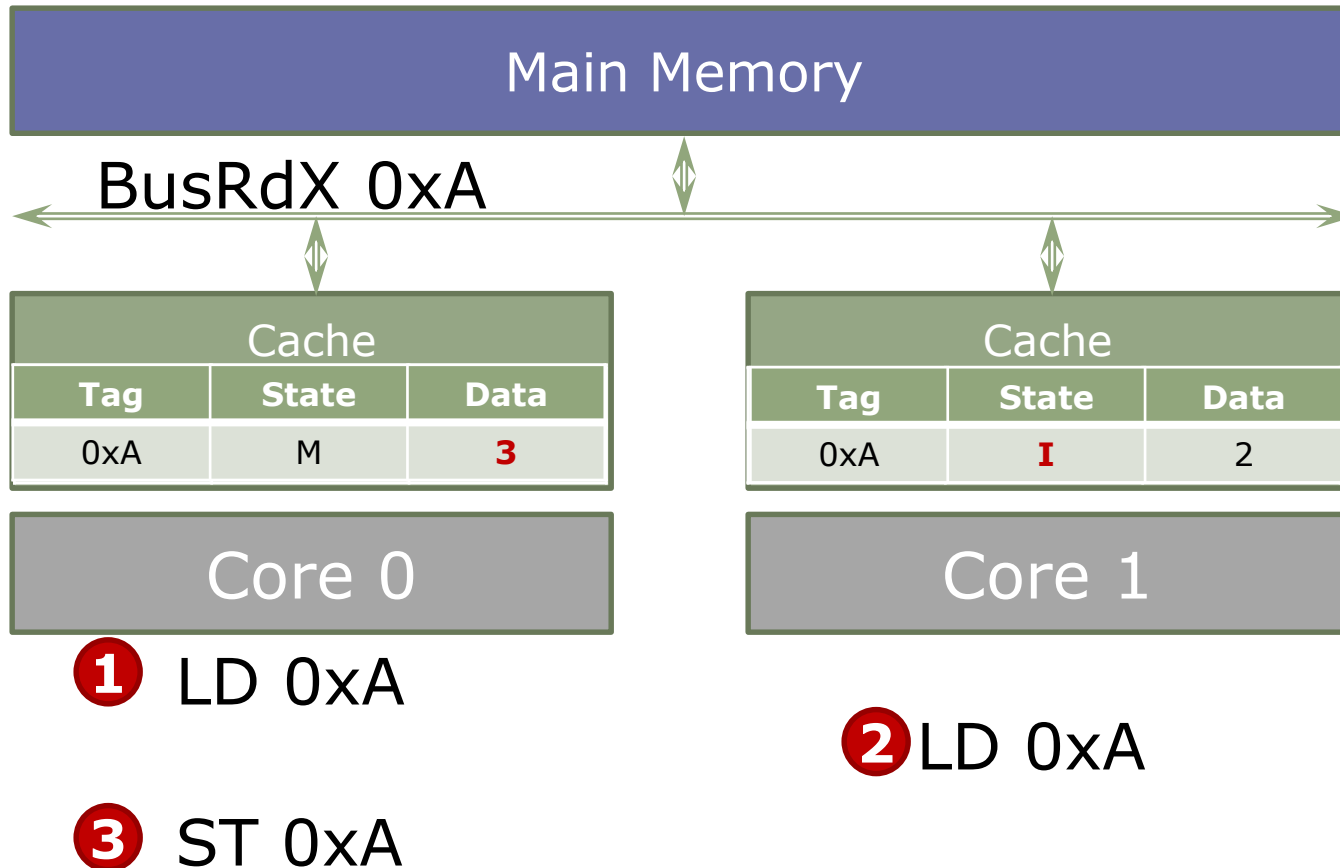


# MSI Example



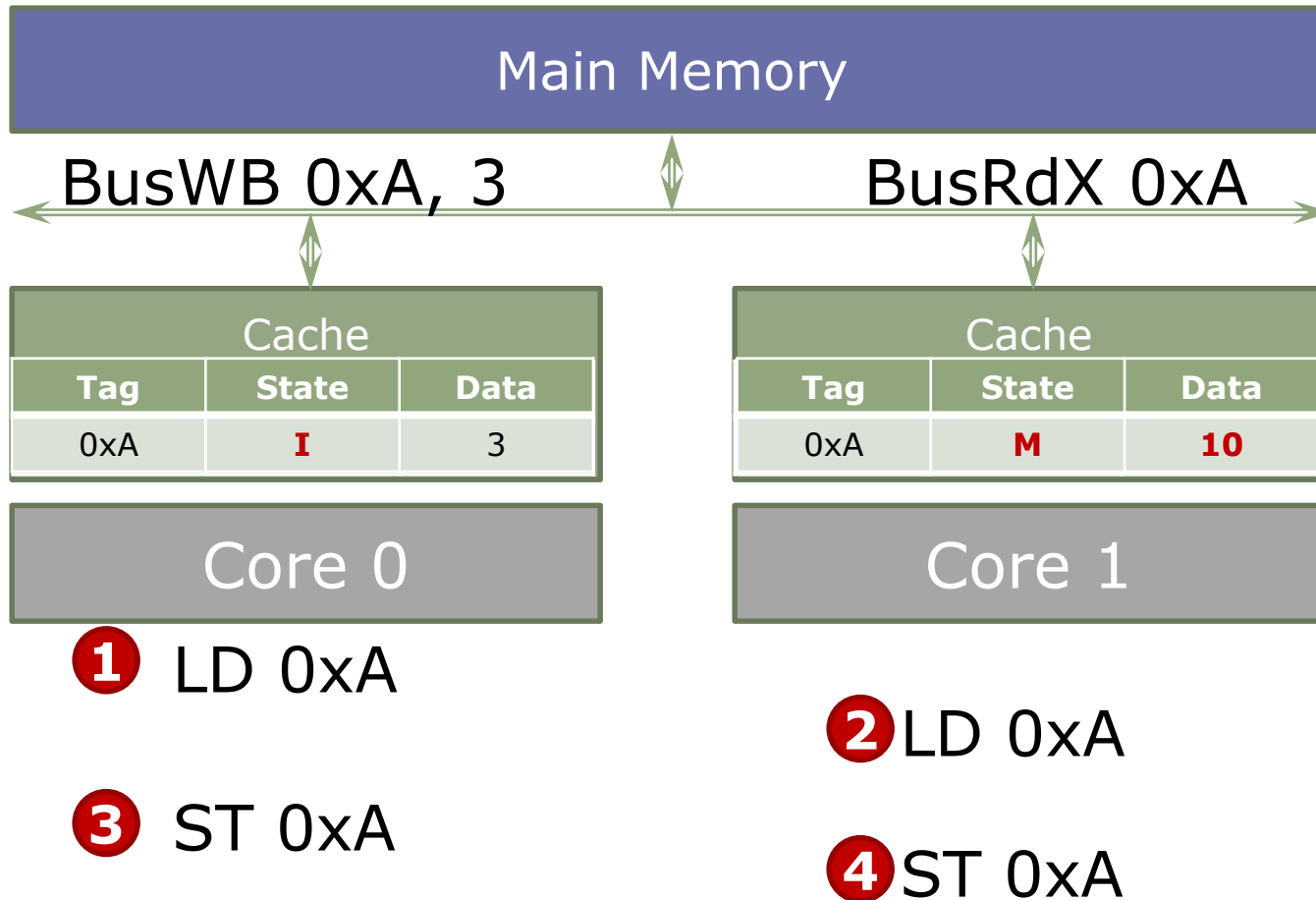
Additional loads satisfied locally, without BusRd  
(like in VI)

# MSI Example

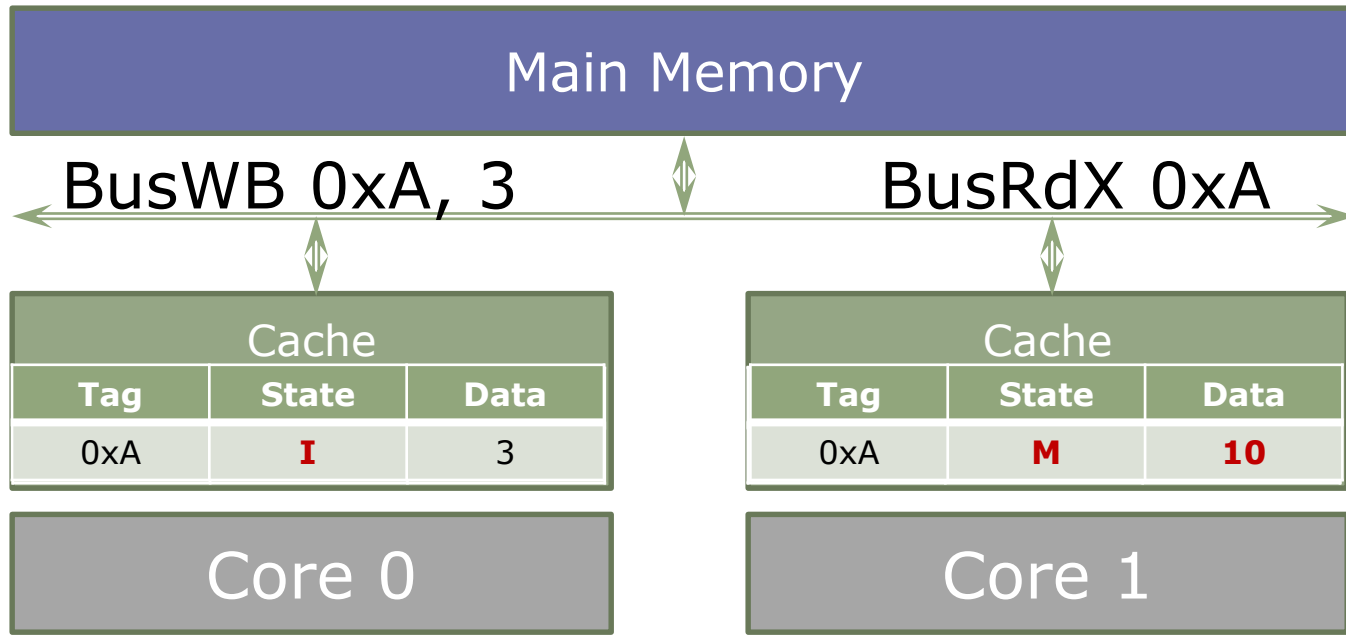


Additional loads *and* stores from core 0 satisfied locally, without bus transactions (unlike in VI)

# MSI Example

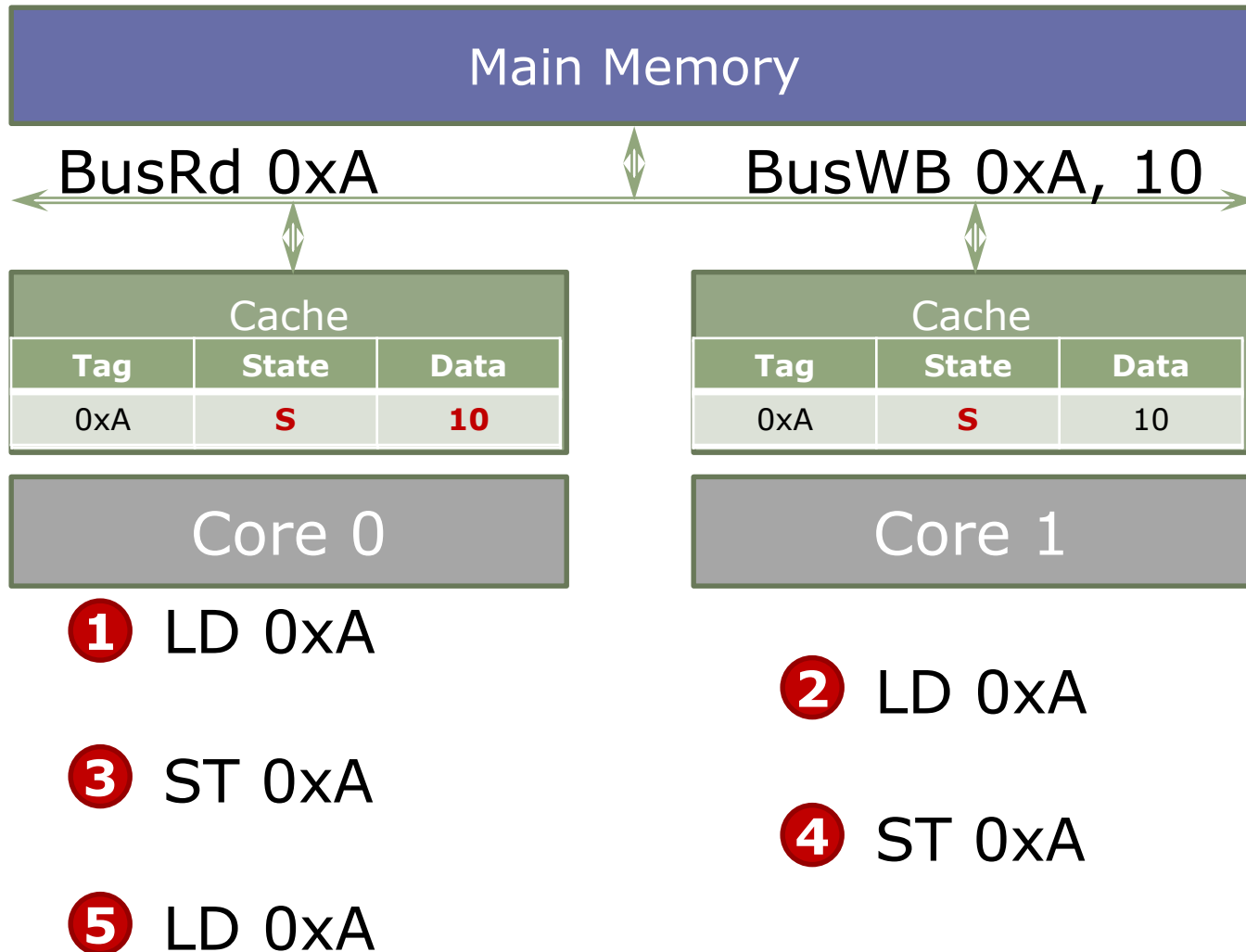


# Cache interventions



- MSI allows caches to serve writes without updating memory, so main memory can have stale data
  - Core 0's cache needs to supply data
  - But main memory may also respond!
- Cache must override response from main memory

# MSI Example



# MSI Optimizations: Exclusive State

---

- Observation: Doing read-modify-write sequences on private data is common
  - What's the problem with MSI?
- Solution: E state (exclusive, clean)
  - If no other sharers, a read acquires line in E instead of S
  - Writes silently cause  $E \rightarrow M$  (exclusive, dirty)



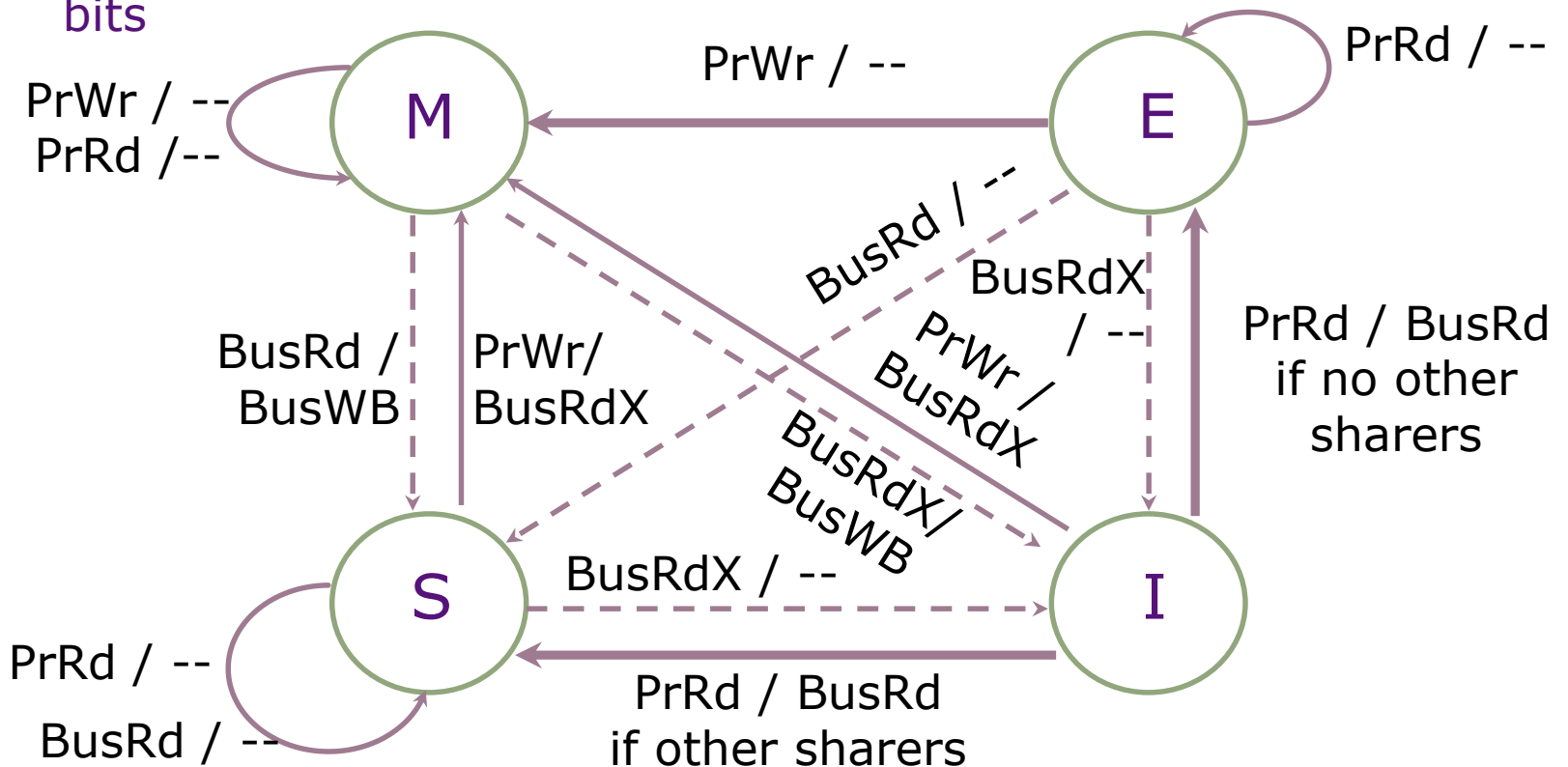
# MESI: An Enhanced MSI protocol

increased performance for private read-write data

Each cache line has a tag



- M: Modified Exclusive
- E: Exclusive, unmodified
- S: Shared
- I: Invalid



# MSI Optimizations: Owner State

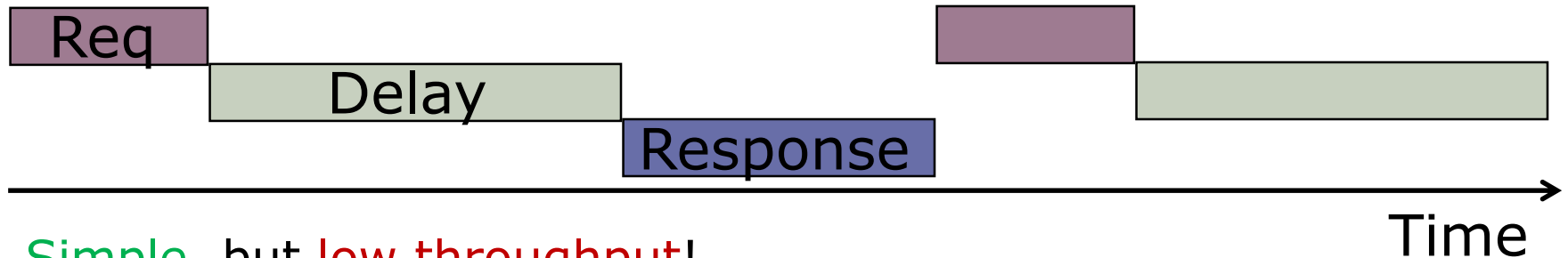
---

- Observation: On  $M \rightarrow S$  transitions, must write back line!
  - What happens with frequent read-write sharing?
  - Can we defer the write after  $S$ ?
- Solution: O state (Owner)
  - $O = S$  + responsibility to write back
  - On  $M \rightarrow S$  transition, one sharer (typically the one who had the line in  $M$ ) retains the line in  $O$  instead of  $S$
  - On eviction,  $O$  writes back line (or another sharer does  $S \rightarrow O$ )
- MSI, MESI, MOSI, MOESI...
  - Typically  $E$  if private read-write  $\gg$  shared read-only (common)
  - Typically  $O$  only if writebacks are expensive (main mem vs  $L3$ )

# Split-Transaction and Pipelined Buses

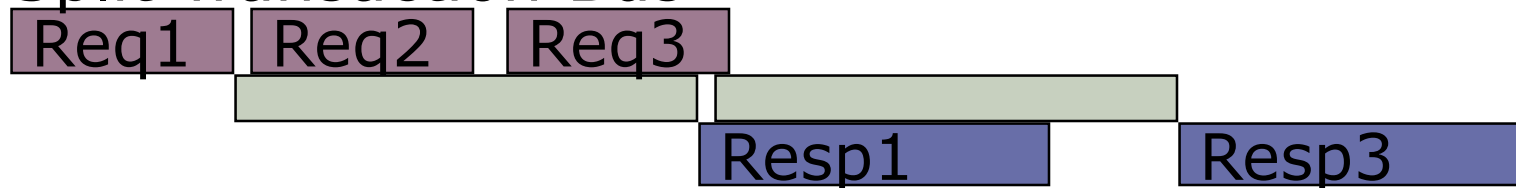
---

## Atomic Transaction Bus



Simple, but low throughput!

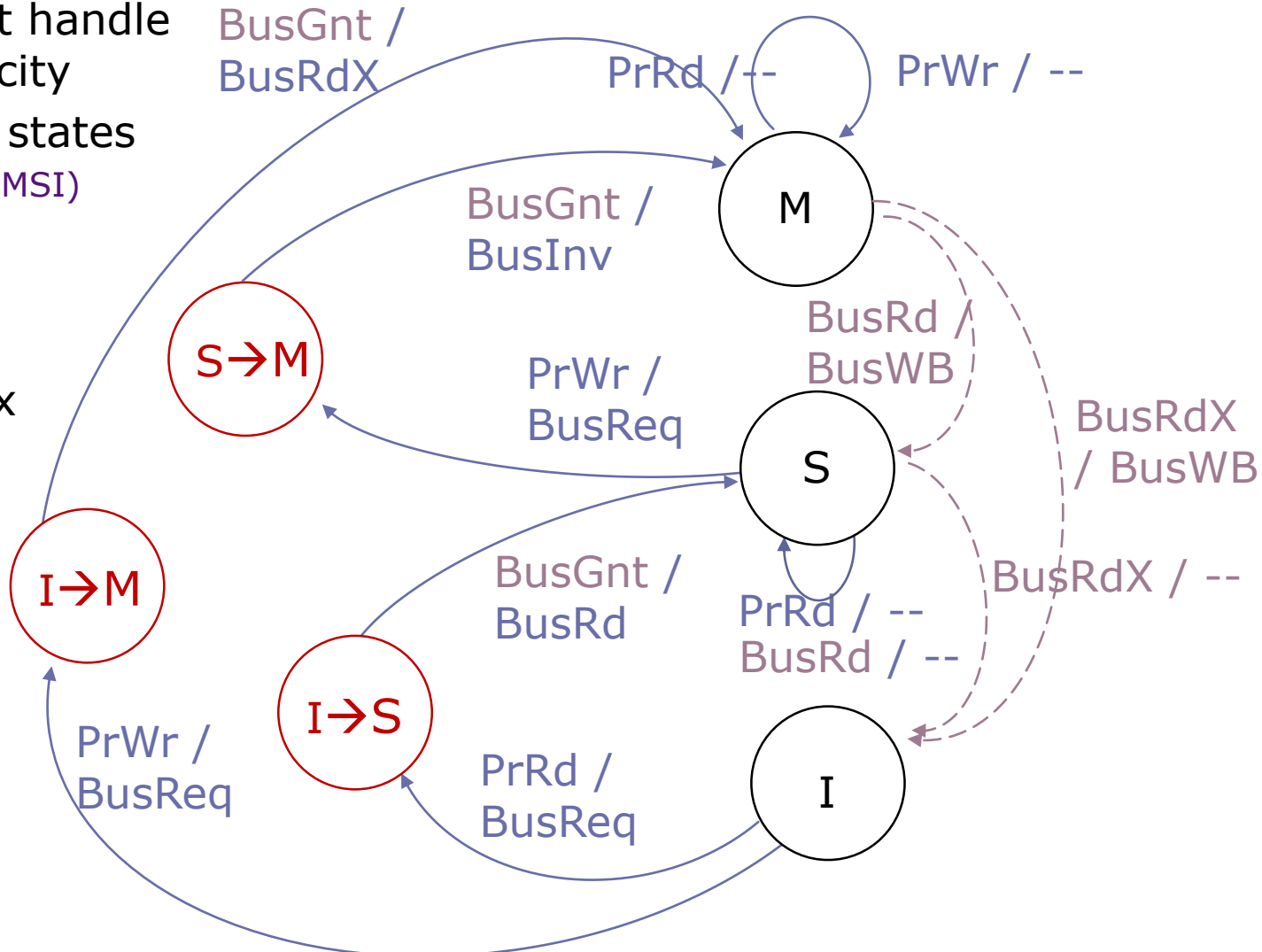
## Split-Transaction Bus



- Supports multiple simultaneous transactions
  - Higher throughput
  - Responses may arrive out of order
- Often implemented as multiple buses (req+resp)

# Non-Atomicity → Transient States

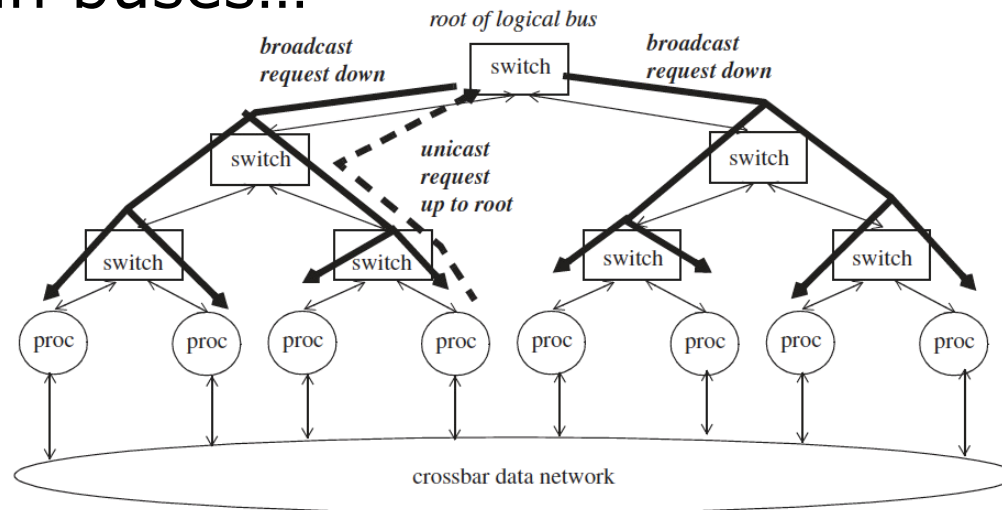
- Protocol must handle lack of atomicity
- Two types of states
  - Stable (e.g. MSI)
  - Transient
- Split + race transitions
- More complex



Actions
Bus Request (BusReq)
Bus Grant (BusGnt)

# Scaling Cache Coherence

- Can implement ordered interconnects that scale better than buses...

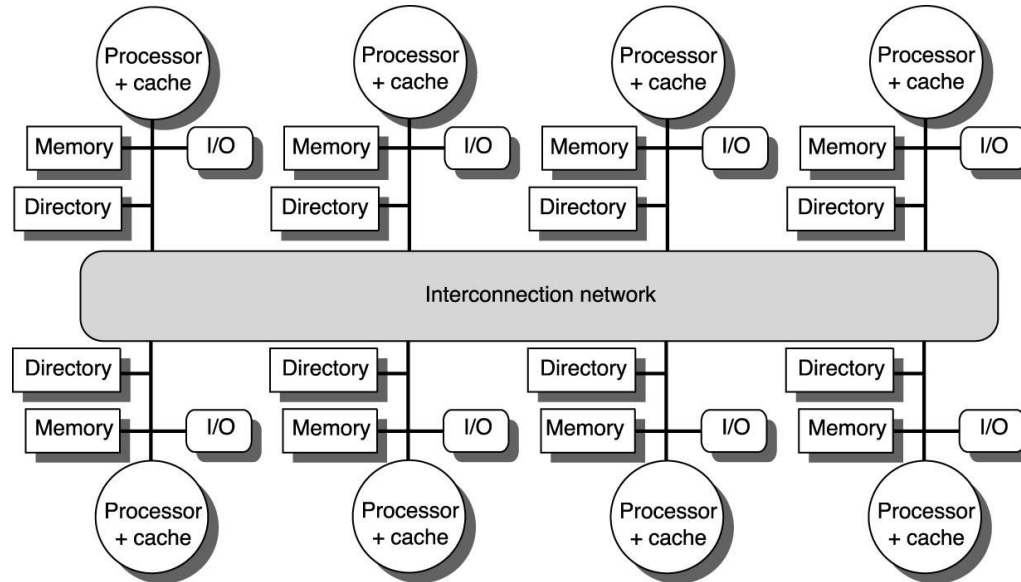


Starfire E10000 (drawn with only eight processors for clarity). A coherence request is *unicast* up to the root, where it is serialized, before being *broadcast* down to all processors

- ... but broadcast is fundamentally unscalable
  - Bandwidth, energy of transactions with 100s of cache snoops?

# Directory-Based Coherence

---



- Route all coherence transactions through a directory
  - Tracks contents of private caches → No broadcasts
  - Serves as ordering point for conflicting requests → Unordered networks

*(more on next lecture)*

# Coherence and False Sharing

## *Performance Issue #1*

---



A cache block contains more than one word and cache coherence is done at the block-level and not word-level

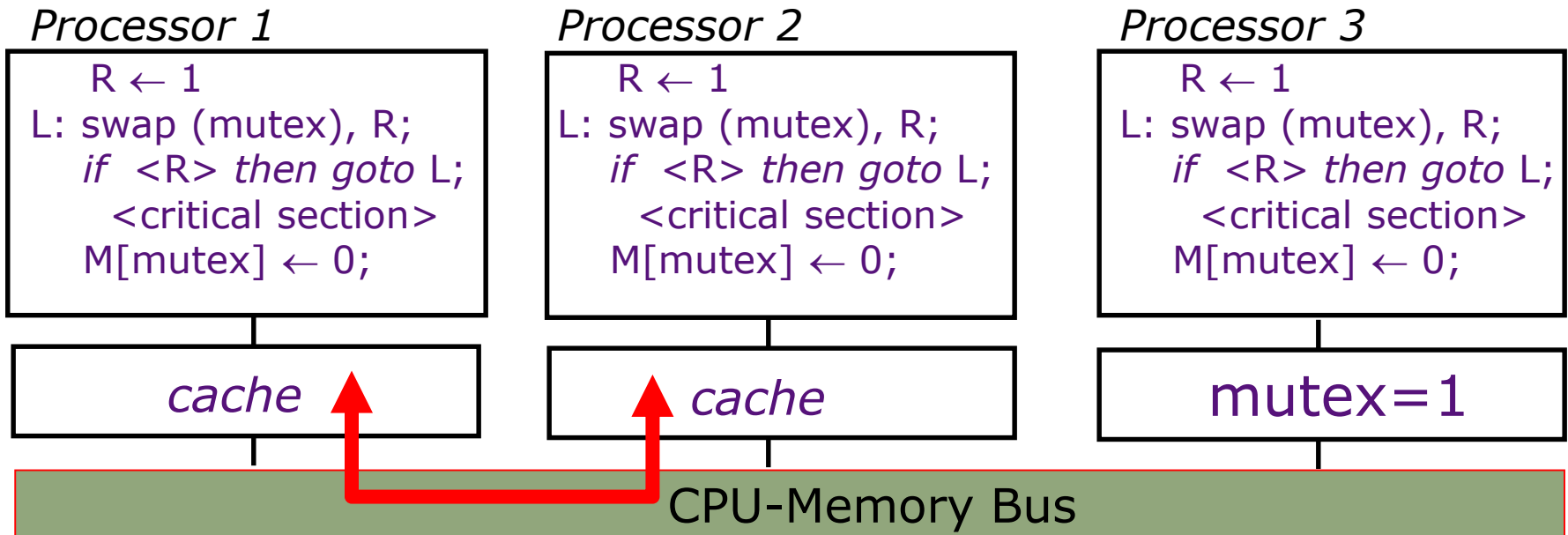
Suppose  $P_1$  writes  $\text{word}_i$  and  $P_2$  writes  $\text{word}_k$  and both words have the same block address.

*What can happen?*

*How to address this problem?*

# Coherence and Synchronization

## Performance Issue #2



Cache coherence protocols will cause **mutex** to *ping-pong* between P1's and P2's caches.

Ping-ponging can be reduced by first reading the **mutex** location (*non-atomically*) and executing a swap only if it is found to be zero (test&test&set).



# Coherence and Bus Occupancy

## Performance Issue #3

---

- In general, an *atomic read-modify-write* instruction requires two memory (bus) operations without intervening memory operations by other processors
- In a multiprocessor setting, bus needs to be locked for the entire duration of the atomic read and write operation
  - ⇒ expensive for simple buses
  - ⇒ *very expensive* for split-transaction buses
- modern processors use
  - load-reserve*
  - store-conditional*

# Load-reserve & Store-conditional

---

Special register(s) to hold reservation flag and address, and the outcome of store-conditional

```
Load-reserve R, (a):  
  <flag, adr> ← <1, a>;  
  R ← M[a];
```

```
Store-conditional (a), R:  
  if <flag, adr> == <1, a>  
  then cancel other procs'  
    reservation on a;  
    M[a] ← <R>;  
    status ← succeed;  
  else status ← fail;
```

If the snooper sees a store transaction to the address in the reserve register, the reserve bit is set to **0**

- Several processors may reserve 'a' simultaneously
- These instructions are like ordinary loads and stores with respect to the bus traffic

# Performance:

## *Load-reserve & Store-conditional*

---

The total number of memory (bus) transactions is not necessarily reduced, but splitting an atomic instruction into load-reserve & store-conditional:

- *increases bus utilization* (and reduces processor stall time), especially in split-transaction buses
- *reduces cache ping-pong effect* because processors trying to acquire a mutex do not have to perform stores each time

*Thank you!*

*Next lecture: Directory-based  
Cache Coherence*